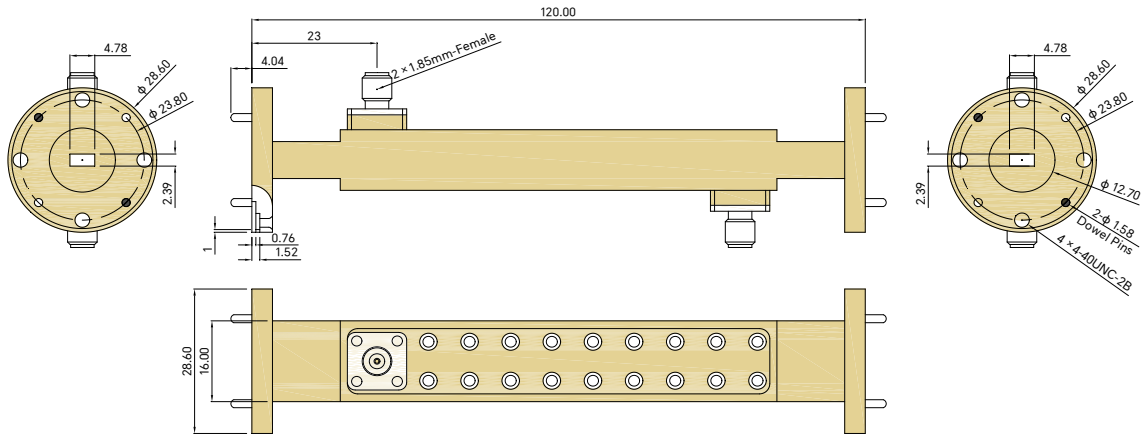


PART NUMBER
TWDDC19D25-30V

REV.	DATE	COMMENTS	INITIAL
1	2021/4/25	ENGINEERING RELEASE	

RoHS Compliant



Frequency Range	40-60GHz
Coupling	30±1.0dB
Directivity	25dB min
Insertion Loss	0.1dB max
VSWR Primary	1.1:1 max
VSWR Secondary	1.4:1 max
Average Power	10W max
	(derate linearly to 1W@100°C)
Impedance	50 Ohms
Waveguide Type	WR-19
Flange Type	FUGP500 Circular Flange
Waveguide Body	Copper, Gold Plated
Dimensions	120×Φ28.6mm

Drawing not to scale, units:mm



www.titan-microwave.com
Tel: +86 185 8328 2993
Email: sales@titan-microwave.com
chris@titan-microwave.com

PART NUMBER TWDDC19D25-30V		DESCRIPTION Dual-arm Broadwall Directional Coupler, WR-19 40-60GHz, Coupling 30 ± 1.0dB, 1.85mm-Female
CAGE CODE	SIGNATURE _____	
EXCEPT AS OTHERWISE PROVIDED BY CONTRACTOR THIS DRAWING OR SPECIFICATION IS PROPERTY OF TITAN MICROWAVE INC. IT IS ISSUED IN STRICT CONFIDENCE AND SHALL NOT BE REPRODUCED OR USED AS THE BASIS.		