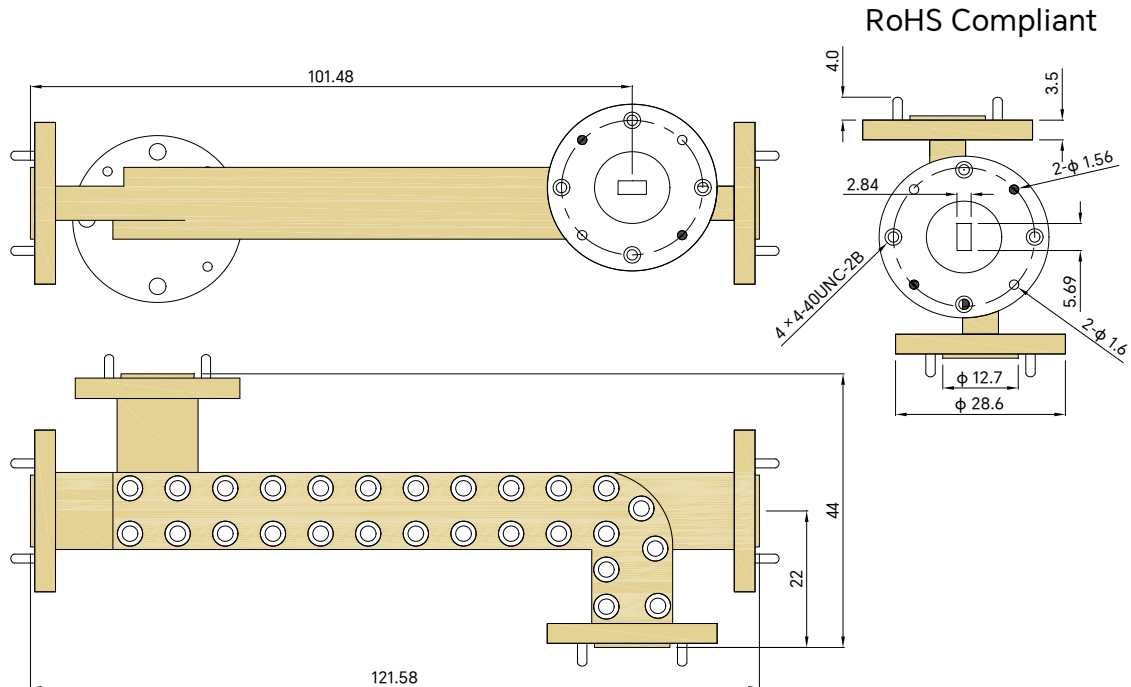


PART NUMBER  
**TWDDC22D27C30**

REV.	DATE	COMMENTS	INITIAL
1	2021/5/19	ENGINEERING RELEASE	

### Specifications

Frequency Range .....32.9-50.1GHz  
 Coupling .....30±1.0dB  
 Directivity ..... 27dB min  
 VSWR Primary ..... 1.1:1 max  
 VSWR Secondary ..... 1.15:1 max  
 Impedance ..... 50 Ohms  
 Waveguide Type ..... WR-22  
 Flange Type ..... FUG400 Circular Flange  
 Waveguide Body ..... Copper, Gold Plated  
 Dimensions ..... 121.58×Φ28.6mm



Drawing not to scale, units:mm



www.titan-microwave.com  
 Tel: +86 185 8328 2993  
 Email: sales@titan-microwave.com  
 chris@titan-microwave.com

PART NUMBER <b>TWDDC22D27C30</b>		DESCRIPTION <b>Waveguide Dual-arm Broadwall Directional Coupler WR-22, 32.9~50.1GHz, 30 ± 1.0dB</b>
CAGE CODE	SIGNATURE	
EXCEPT AS OTHERWISE PROVIDED BY CONTRACTOR THIS DRAWING OR SPECIFICATION IS PROPERTY OF TITAN MICROWAVE INC. IT IS ISSUED IN STRICT CONFIDENCE AND SHALL NOT BE REPRODUCED OR USED AS THE BASIS.		