

TMDC-02001800-30N400 2-18 GHz, 30dB, 400W, N-Male/Female

FEATURES

- ❖ Wide Band Operation 2-18 GHz
- ❖ Power Handle Capability up to 400W
- ❖ 30 dB Typical Coupling
- ❖ Low Insertion Loss

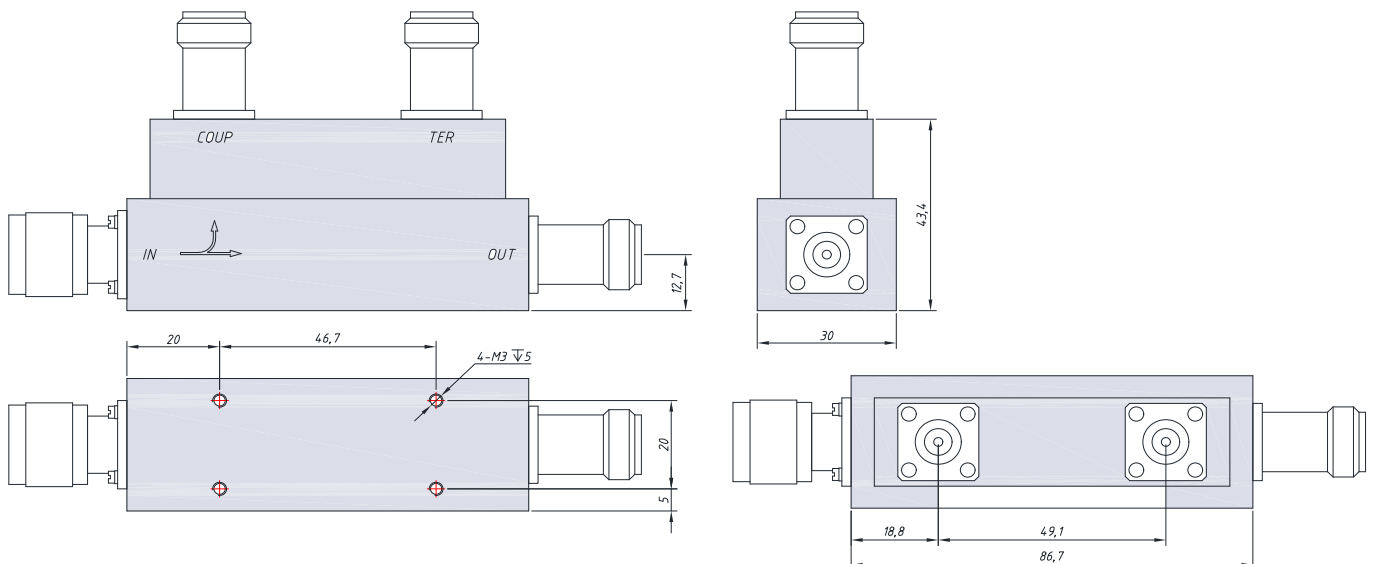
APPLICATIONS

- ❖ Frequency Measurements
- ❖ Signal Levelling, Signal Sampling
- ❖ Signal Injection
- ❖ Reflection Coefficient Measurements
- ❖ Measure incident and reflected power to determine VSWR

SPECIFICATIONS

Parameters	Min.	Typ.	Max.	Min.	Typ.	Max.	Units
Frequency Range	2	-	8	8	-	18	GHz
Impedance	-	50	-	-	50	-	Ohms
Nominal Coupling	29	30	31	29	30	31	dB
Coupling Flatness	-	-	±1.0	-	-	±1.0	dB
Directivity	10	-	-	8	-	-	dB
Insertion Loss	-	-	0.8	-	-	0.8	dB
VSWR(Main Line)	-	-	1.6	-	-	1.6	:1
VSWR(Coupling Line)	-	-	1.8	-	-	1.8	:1
Average Power	400						W
Peak Power	3						kW
Operating Temperature	-55°C~+85°C						
Storage Temperature	-50°C~+105°C						
Input Connector	N-Male						
Coupled/Output Connectors	N-Female						
Surface Finishing	Natural Conductive Oxidation						
Material	Aluminum						

Outline Drawing [mm[inch]]



Tolerances ±0.5[0.02]