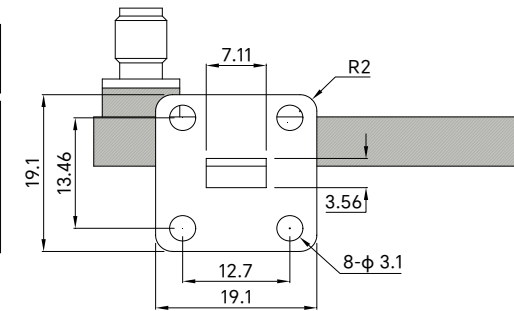
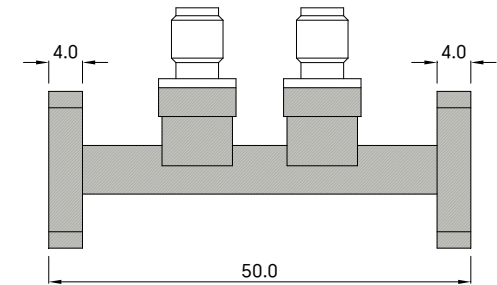
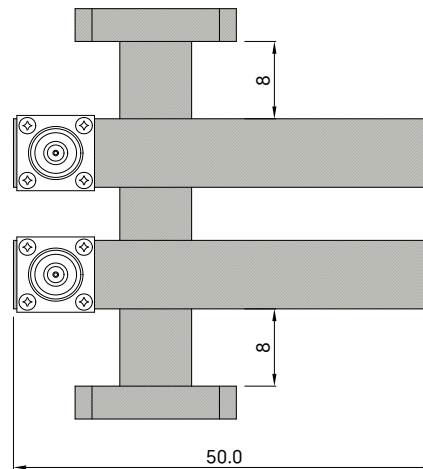


PART NUMBER TWGDC28C30K	REV.	DATE	COMMENTS	INITIAL
	1	2021/9/20	ENGINEERING RELEASE	

SPECIFICATIONS

Frequency Range	33-37GHz
Nominal Coupling	30±1.5dB
Directivity	16dB min
VSWR Primary	1.1:1 max
VSWR Secondary	1.35:1 max
Impedance	50 Ohms
Average Power	1000W max@25°C
	(derate linearly to 100W@100°C)
Waveguide Type	WR-28
Flange Type	FBP320(UBR) Flange
Coupling Port	2.92mm-Female
Waveguide Body	Aluminum, Grey Painted
Connector Body	Stainless Steel, Passivated
Dimensions	50×50mm

RoHS Compliant



Drawing not to scale, units:mm



www.titan-microwave.com
Tel: +86 185 8328 2993
Email: sales@titan-microwave.com
chris@titan-microwave.com

PART NUMBER TWGDC28C30K		DESCRIPTION Waveguide Dual Directional Cross Coupler, 33-37GHz Coupling 30 ± 1.5dB, WR-28, 2.92mm-Female
CAGE CODE	SIGNATURE	
EXCEPT AS OTHERWISE PROVIDED BY CONTRACTOR THIS DRAWING OR SPECIFICATION IS PROPERTY OF TITAN MICROWAVE INC. IT IS ISSUED IN STRICT CONFIDENCE AND SHALL NOT BE REPRODUCED OR USED AS THE BASIS.		