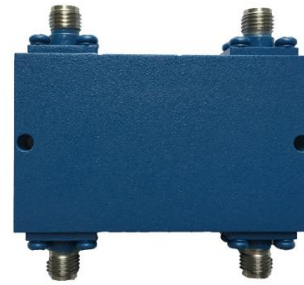


Product Features

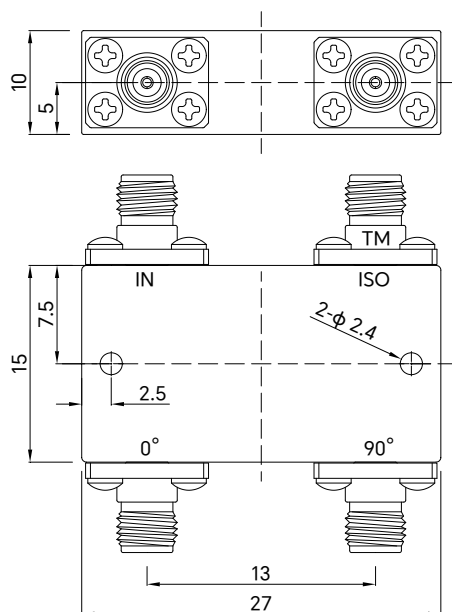
- Power handling up to 1W
- Wide band operation
- Functional Bandwidth : 25.5GHz to 27GHz
- High isolation within operational band
- Low Insertion Loss
- Stable performance over temperature
- High peak to average handling capability



Specifications

Frequency Range	25500~27000MHz
Nominal Split	3.01dB
Insertion Loss	1.5dB max
Isolation	12dB min
Amplitude Balance	±0.6dB max
Phase Balance	±8 Deg. max
VSWR	1.6 max.
Power Handling	1W(CW)
Impedance	50 Ohms
RF Connectors	2.92mm-Female
Surface Finishing	Silver Colour
Operating Temp.	-55°C~+85°C
Dimensions	27×15×10mm

Outline Drawing(mm)



Outline Tolerances ±0.2mm