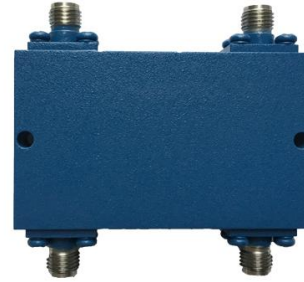


Product Features

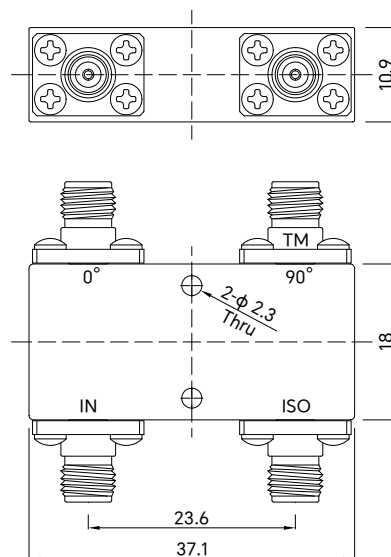
- Power handling up to 10W
- Wide band operation
- Functional Bandwidth : 17GHz to 28GHz
- High isolation within operational band
- Low Insertion Loss
- Stable performance over temperature
- High peak to average handling capability



Specifications

Frequency Range	17000~28000MHz
Nominal Split	3.01dB
Insertion Loss	2.2dB max
Isolation	12dB min
Amplitude Balance	±1.0dB max
Phase Balance	±10 Deg. max
VSWR	1.6 max.
Power Handling(max)	10W(CW), 1kW(PK)
Impedance	50 Ohms
RF Connectors	2.92mm-Female
Surface Finishing	Black Painted
Operating Temp.	-40°C~+80°C
Dimensions	37.1×18×10.9mm

Outline Drawing(mm)



Outline Tolerances ±0.2mm