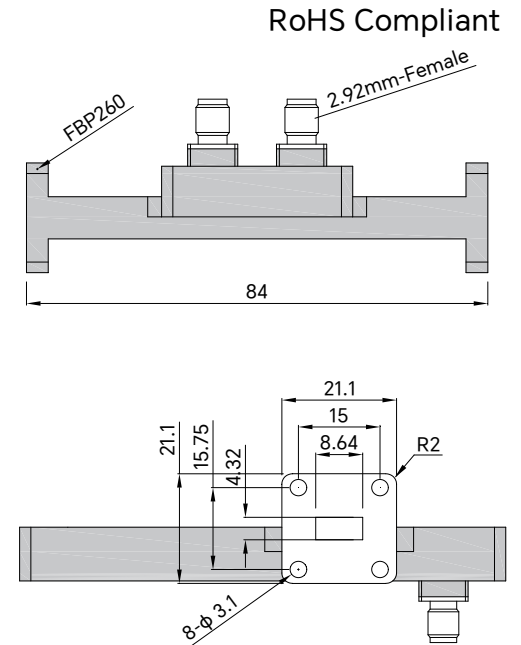
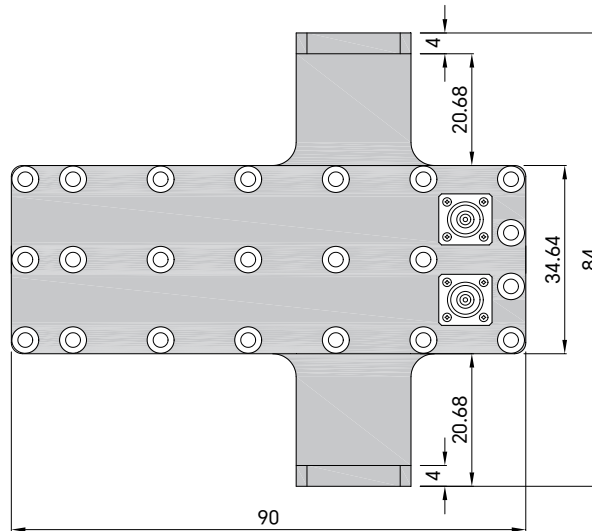


PART NUMBER TWGDC34KC40	REV.	DATE	COMMENTS	INITIAL
	1	2021/4/18	ENGINEERING RELEASE	

SPECIFICATIONS

Frequency Range	21.7~33GHz
Nominal Coupling	40±1.5dB
Directivity	20dB min
VSWR Primary	1.1:1 max
VSWR Secondary	1.3:1 max
Impedance	50 Ohms
Waveguide Type	WR-34
Flange Type	FBP260(UBR) Flange
Coupling Port	2.92mm-Female
Waveguide Body	Aluminum, Grey Painted
Connector Body	Stainless Steel, Passivated
Dimensions	90(L)×84(W)mm



Drawing not to scale, units:mm



www.titan-microwave.com
 Tel: +86 185 8328 2993
 Email: sales@titan-microwave.com
 chris@titan-microwave.com

PART NUMBER TWGDC34KC40		DESCRIPTION Waveguide Dual Directional Cross Coupler, 21.7~33GHz Coupling 40 ± 1.5dB, WR-34, 2.92mm-Female
CAGE CODE	SIGNATURE	
EXCEPT AS OTHERWISE PROVIDED BY CONTRACTOR THIS DRAWING OR SPECIFICATION IS PROPERTY OF TITAN MICROWAVE INC. IT IS ISSUED IN STRICT CONFIDENCE AND SHALL NOT BE REPRODUCED OR USED AS THE BASIS.		