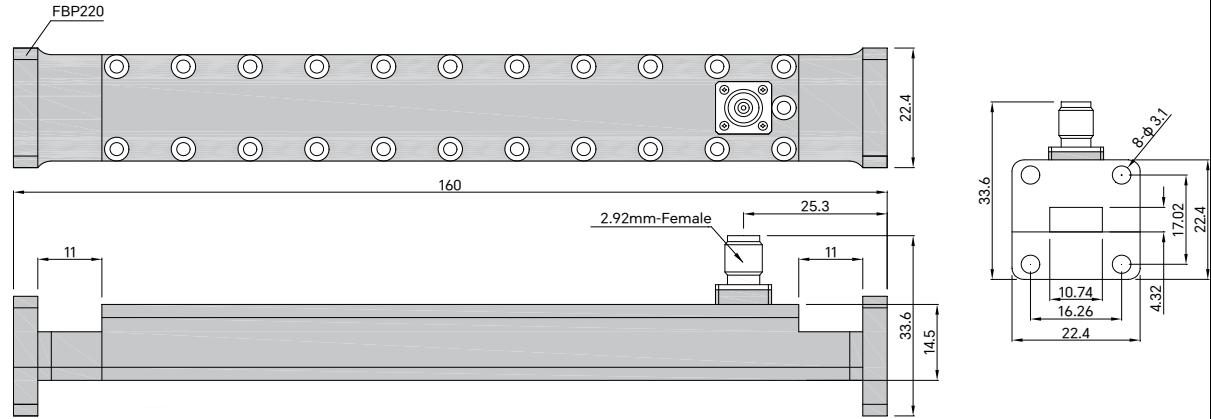


PART NUMBER TWDC42D30-40K	REV.	DATE	COMMENTS	INITIAL
	1	2021/3/17	ENGINEERING RELEASE	

RoHS Compliant

SPECIFICATIONS

Frequency Range	18-26.5GHz
Nominal Coupling	40±1.0dB
Directivity	30dB min
VSWR Primary	1.1:1 max
VSWR Secondary	1.25:1 max
Impedance	50 Ohms
Waveguide Type	WR-42
Flange Type	FBP220(UBR) Flange
Coupling Port	2.92mm-Female
Waveguide Body	Aluminum, Gray Painted
Connector Body	Stainless Steel, Passivated
Dimensions	160×22.4×22.4mm



Drawing not to scale, units:mm



www.titan-microwave.com
 Tel: +86 185 8328 2993
 Email: sales@titan-microwave.com
 chris@titan-microwave.com

PART NUMBER TWDC42D30-40K		DESCRIPTION Waveguide Directional Coupler, 18~26.5GHz Coupling 40 ± 1.0dB, WR-42, 2.92mm-Female
CAGE CODE	SIGNATURE	
EXCEPT AS OTHERWISE PROVIDED BY CONTRACTOR THIS DRAWING OR SPECIFICATION IS PROPERTY OF TITAN MICROWAVE INC. IT IS ISSUED IN STRICT CONFIDENCE AND SHALL NOT BE REPRODUCED OR USED AS THE BASIS.		