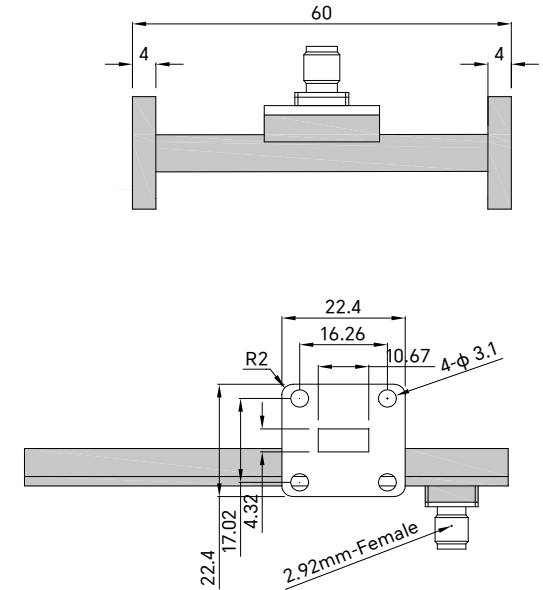
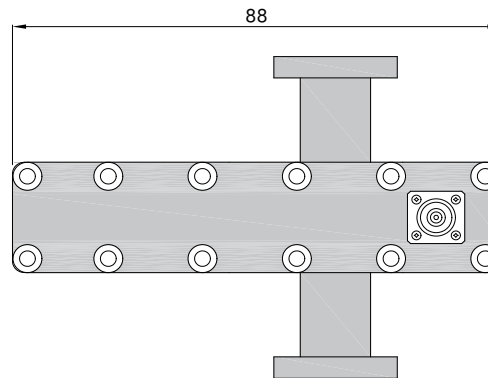


PART NUMBER TWGC42C30K	REV.	DATE	COMMENTS	INITIAL
	1	2021/3/20	ENGINEERING RELEASE	

RoHS Compliant

SPECIFICATIONS

Frequency Range	17.7-21.2GHz
Nominal Coupling	30±0.75dB
Directivity	20dB min
VSWR Primary	1.1:1 max
VSWR Secondary	1.3:1 max
Impedance	50 Ohms
Waveguide Type	WR-42
Flange Type	FBP220(PBR) Flange
Coupling Port	2.92mm-Female
Waveguide Body	Aluminum, Gray Painted
Connector Body	Stainless Steel, Passivated
Dimensions	88(L)×60(W)mm



Drawing not to scale, units:mm



www.titan-microwave.com
Tel: +86 185 8328 2993
Email: sales@titan-microwave.com
chris@titan-microwave.com

PART NUMBER TWGC42C30K		DESCRIPTION Waveguide Directional Cross Coupler, 17.7-21.2GHz Coupling 30 ± 0.75dB, WR-42, 2.92mm-Female
CAGE CODE	SIGNATURE _____	
EXCEPT AS OTHERWISE PROVIDED BY CONTRACTOR THIS DRAWING OR SPECIFICATION IS PROPERTY OF TITAN MICROWAVE INC. IT IS ISSUED IN STRICT CONFIDENCE AND SHALL NOT BE REPRODUCED OR USED AS THE BASIS.		