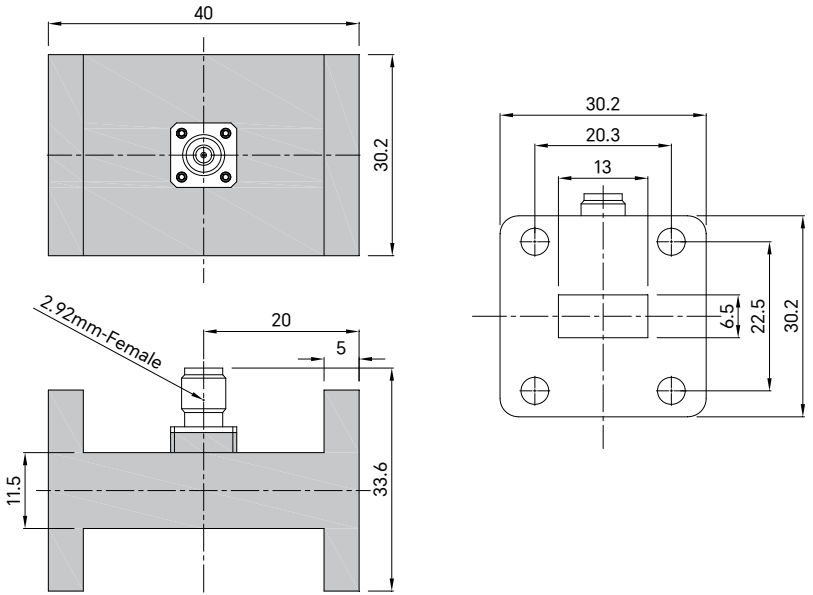


PART NUMBER TWGC51C40-1720	REV.	DATE	COMMENTS	INITIAL
	1	2021/3/20	ENGINEERING RELEASE	

RoHS Compliant

SPECIFICATIONS

- Frequency Range 17-20GHz
- Nominal Coupling 40±1.0dB
- Insertion Loss 0.2dB max
- VSWR Primary 1.1:1 max
- Impedance 50 Ohms
- Waveguide Type WR-51
- Flange Type FBP180(UBR) Flange
- Coupling Port 2.92mm-Female
- Waveguide Body Aluminum, Gray Painted
- Connector Body Stainless Steel, Passivated
- Dimensions 40(L)×30.2(W)×30.2(H)mm



Drawing not to scale, units:mm



www.titan-microwave.com
 Tel: +86 185 8328 2993
 Email: sales@titan-microwave.com
 chris@titan-microwave.com

PART NUMBER TWGC51C40-1720		DESCRIPTION Waveguide Directional Coupler, 17-20GHz Coupling 40 ± 1.0dB, WR-51, 2.92mm-Female
CAGE CODE	SIGNATURE _____	
EXCEPT AS OTHERWISE PROVIDED BY CONTRACTOR THIS DRAWING OR SPECIFICATION IS PROPERTY OF TITAN MICROWAVE INC. IT IS ISSUED IN STRICT CONFIDENCE AND SHALL NOT BE REPRODUCED OR USED AS THE BASIS.		