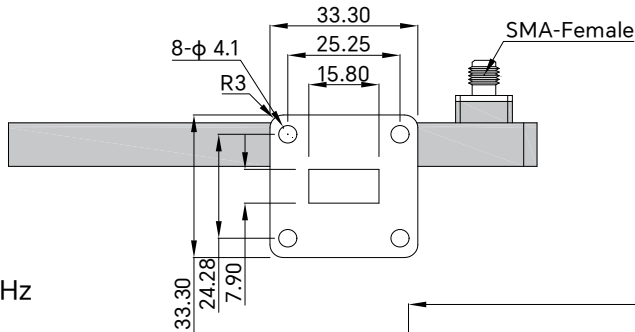


PART NUMBER
TWGDC62C40S

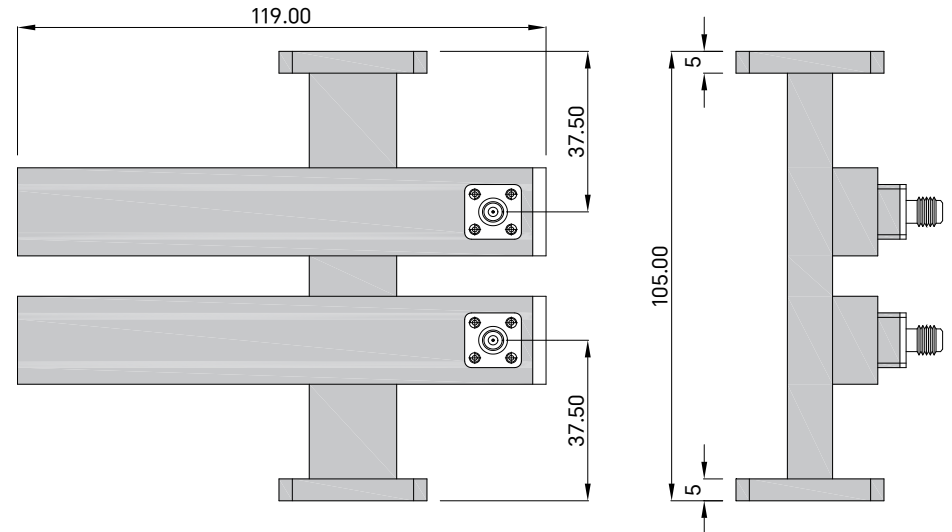
REV.	DATE	COMMENTS	INITIAL
1	2021/9/20	ENGINEERING RELEASE	



SPECIFICATIONS

- Frequency Range 11.9-18GHz
- Nominal Coupling 40±1.5dB
- Directivity 20dB min
- VSWR Primary 1.1:1 max
- VSWR Secondary 1.3:1 max
- Impedance 50 Ohms
- Waveguide Type WR-62
- Flange Type FBP140(UBR) Flange
- Coupling Port SMA-Female
- Waveguide Body Aluminum, Grey Painted
- Connector Body Stainless Steel, Passivated
- Dimensions 119(L)×105(W)mm

RoHS Compliant



Drawing not to scale, units:mm



www.titan-microwave.com
Tel: +86 185 8328 2993
Email: sales@titan-microwave.com
chris@titan-microwave.com

PART NUMBER TWGDC62C40S		DESCRIPTION Waveguide Dual Directional Cross Coupler, 11.9~18GHz Coupling 40 ± 1.5dB, WR-62, SMA-Female
CAGE CODE	SIGNATURE _____	
EXCEPT AS OTHERWISE PROVIDED BY CONTRACTOR THIS DRAWING OR SPECIFICATION IS PROPERTY OF TITAN MICROWAVE INC. IT IS ISSUED IN STRICT CONFIDENCE AND SHALL NOT BE REPRODUCED OR USED AS THE BASIS.		