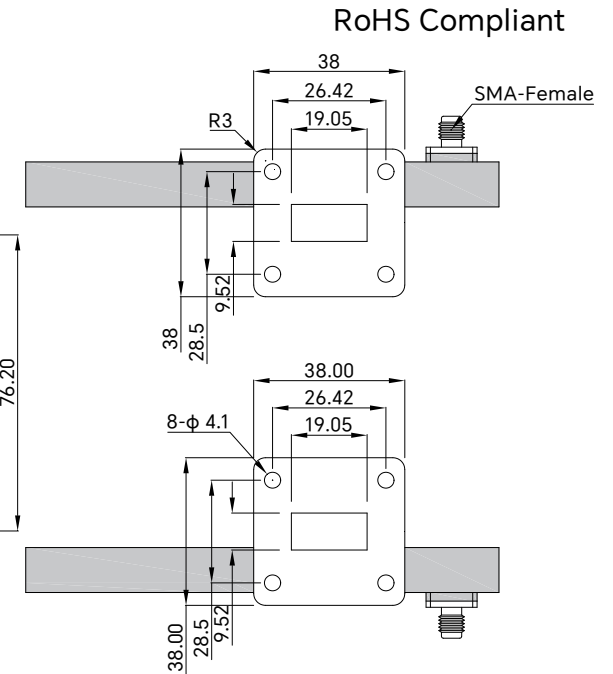
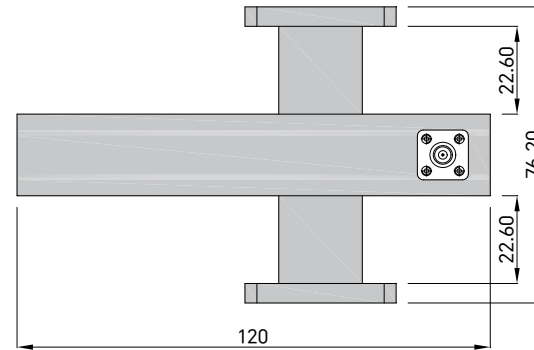
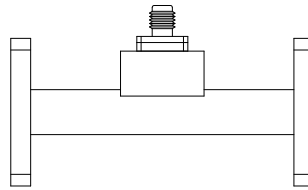


PART NUMBER TWGC75C40S

REV.	DATE	COMMENTS	INITIAL
1	2021/9/20	ENGINEERING RELEASE	

SPECIFICATIONS

Frequency Range	9.84-15GHz
Nominal Coupling	40±1.5dB
Directivity	18dB min
VSWR Primary	1.1:1 max
VSWR Secondary	1.25:1 max
Impedance	50 Ohms
Waveguide Type	WR-75
Flange Type	FBP120(UBR) Flange
Coupling Port	SMA-Female
Waveguide Body	Aluminum, Gray Painted
Connector Body	Stainless Steel, Passivated
Dimensions	120×76.2mm



RoHS Compliant

Drawing not to scale, units:mm



www.titan-microwave.com
 Tel: +86 185 8328 2993
 Email: sales@titan-microwave.com
 chris@titan-microwave.com

PART NUMBER TWGC75C40S		DESCRIPTION Waveguide Directional Cross Coupler, 9.84-15GHz Coupling 40 ± 1.5dB, WR-75, SMA-Female
CAGE CODE	SIGNATURE _____	
EXCEPT AS OTHERWISE PROVIDED BY CONTRACTOR THIS DRAWING OR SPECIFICATION IS PROPERTY OF TITAN MICROWAVE INC. IT IS ISSUED IN STRICT CONFIDENCE AND SHALL NOT BE REPRODUCED OR USED AS THE BASIS.		