

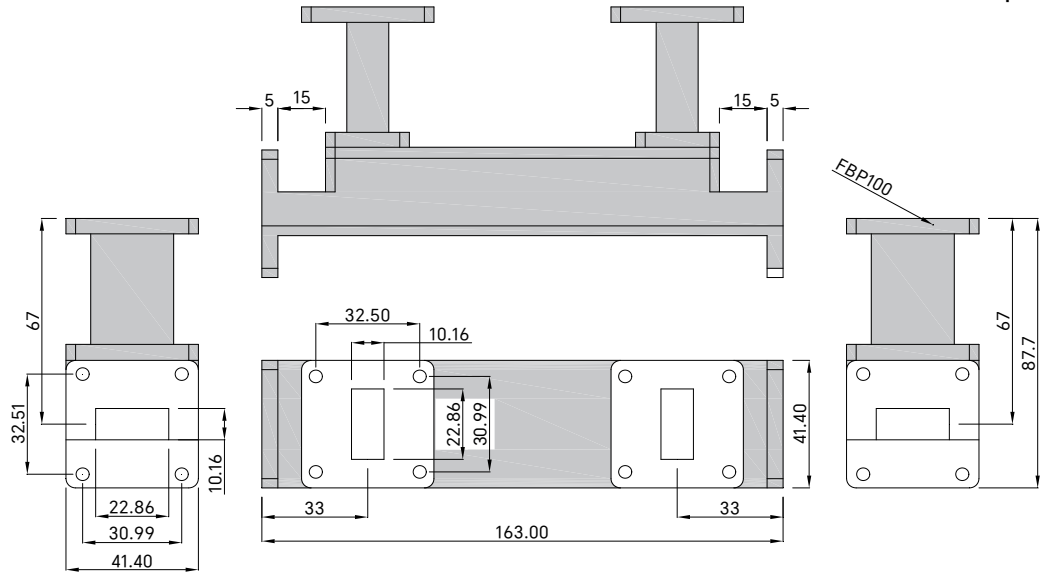
PART NUMBER  
**TWDDC90D25C25**

REV.	DATE	COMMENTS	INITIAL
1	2021/6/21	ENGINEERING RELEASE	

### Specifications

Frequency Range .....	8.2-12.4GHz
Coupling .....	25±1.5dB
Directivity .....	25dB min
VSWR Primary .....	1.1:1 max
VSWR Secondary .....	1.25:1 max
Impedance .....	50 Ohms
Waveguide Type .....	WR-90
Flange Type .....	FBP100(UBR) Flange
Waveguide Body .....	Aluminum, Gray Painted
Dimensions .....	163×41.4×41.4mm

RoHS Compliant



Drawing not to scale, units:mm



www.titan-microwave.com  
Tel: +86 185 8328 2993  
Email: sales@titan-microwave.com  
chris@titan-microwave.com

PART NUMBER <b>TWDDC90D25C25</b>		DESCRIPTION <b>Waveguide Dual-arm Broadwall Directional Coupler WR-90, 8.2~12.4GHz, 25 ± 1.5dB</b>
CAGE CODE	SIGNATURE	
EXCEPT AS OTHERWISE PROVIDED BY CONTRACTOR THIS DRAWING OR SPECIFICATION IS PROPERTY OF TITAN MICROWAVE INC. IT IS ISSUED IN STRICT CONFIDENCE AND SHALL NOT BE REPRODUCED OR USED AS THE BASIS.		