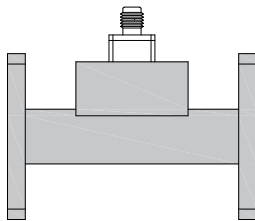


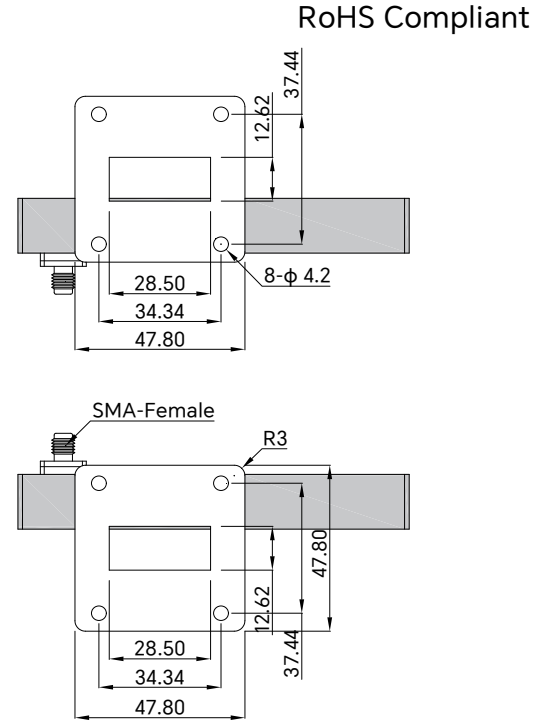
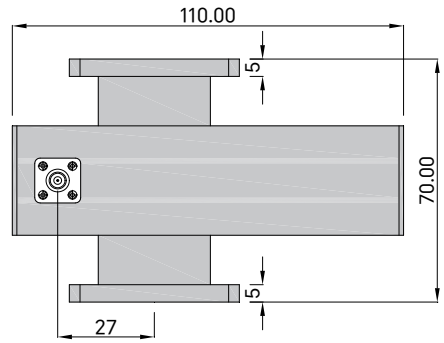
**PART NUMBER**  
**TWGC112C50S**

REV.	DATE	COMMENTS	INITIAL
1	2021/5/19	ENGINEERING RELEASE	



**SPECIFICATIONS**

- Frequency Range ..... 6.57-9.9GHz
- Nominal Coupling ..... 50±1.5dB
- Directivity ..... 18dB min
- VSWR Primary ..... 1.1:1 max
- VSWR Secondary ..... 1.25:1 max
- Impedance ..... 50 Ohms
- Waveguide Type ..... WR-112
- Flange Type ..... FBP84(UBR) Flange
- Coupling Port ..... SMA-Female
- Waveguide Body ..... Aluminum, Grey Painted
- Connector Body ..... Stainless Steel, Passivated
- Dimensions ..... 110×70mm



Drawing not to scale, units:mm



www.titan-microwave.com  
Tel: +86 185 8328 2993  
Email: sales@titan-microwave.com  
chris@titan-microwave.com

<b>PART NUMBER</b> <b>TWGC112C50S</b>		<b>DESCRIPTION</b> <b>Waveguide Directional Cross Coupler, 6.57-9.9GHz</b> <b>Coupling 50 ± 1.5dB, WR-112, SMA-Female</b>
<b>CAGE CODE</b>	<b>SIGNATURE</b> _____	
EXCEPT AS OTHERWISE PROVIDED BY CONTRACTOR THIS DRAWING OR SPECIFICATION IS PROPERTY OF TITAN MICROWAVE INC. IT IS ISSUED IN STRICT CONFIDENCE AND SHALL NOT BE REPRODUCED OR USED AS THE BASIS.		