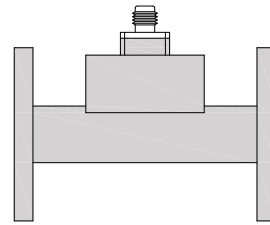


PART NUMBER
<b>TWGC112C55S</b>

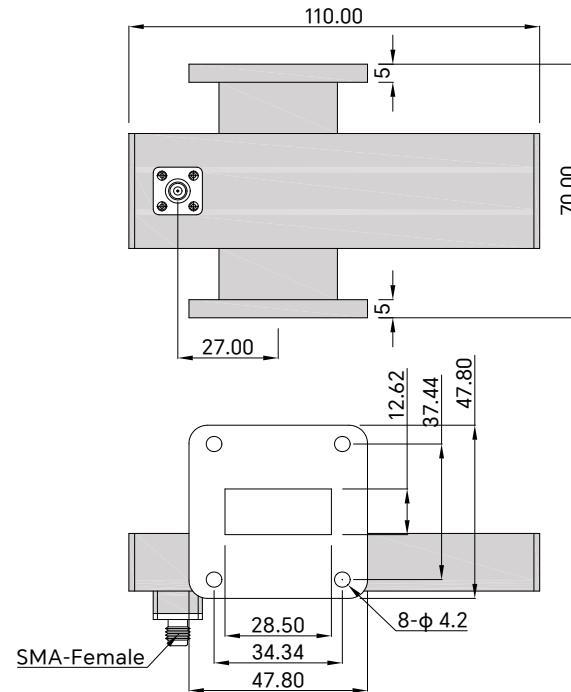
REV.	DATE	COMMENTS	INITIAL
1	2021/5/19	ENGINEERING RELEASE	



RoHS Compliant

### SPECIFICATIONS

Frequency Range .....	7.9-8.4GHz
Nominal Coupling .....	55±1.0dB
Directivity .....	23dB min
VSWR Primary .....	1.1:1 max
VSWR Secondary .....	1.3:1 max
Impedance .....	50 Ohms
Waveguide Type .....	WR-112
Flange Type .....	FBP84(UBR) Flange
Coupling Port .....	SMA-Female
Waveguide Body .....	Aluminum, Gray Painted
Connector Body .....	Stainless Steel, Passivated
Dimensions .....	110×70mm



Drawing not to scale, units:mm



www.titan-microwave.com  
 Tel: +86 185 8328 2993  
 Email: sales@titan-microwave.com  
 chris@titan-microwave.com

PART NUMBER		DESCRIPTION Waveguide Directional Cross Coupler, 7.9-8.4GHz Coupling 55 ± 1.0dB, WR-112, SMA-Female
<b>TWGC112C55S</b>		
CAGE CODE	SIGNATURE	
EXCEPT AS OTHERWISE PROVIDED BY CONTRACTOR THIS DRAWING OR SPECIFICATION IS PROPERTY OF TITAN MICROWAVE INC. IT IS ISSUED IN STRICT CONFIDENCE AND SHALL NOT BE REPRODUCED OR USED AS THE BASIS.		