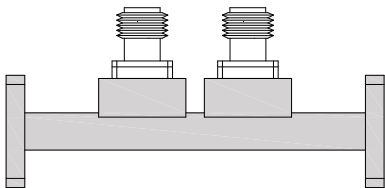


**PART NUMBER**  
**TWGDC137C35N**

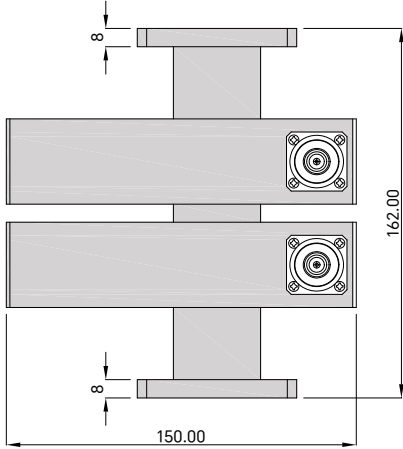
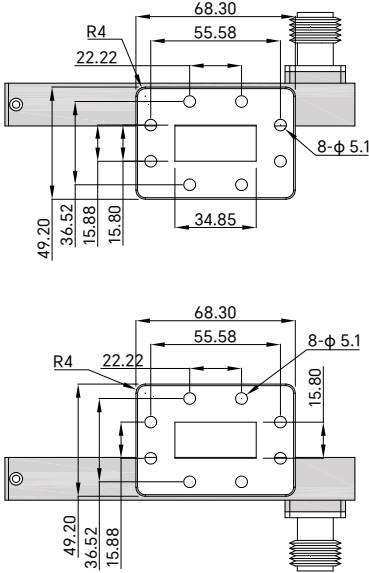
REV.	DATE	COMMENTS	INITIAL
1	2021/11/18	ENGINEERING RELEASE	



RoHS Compliant

**SPECIFICATIONS**

- Frequency Range ..... 5.8~6.8GHz
- Nominal Coupling ..... 35±1.0dB
- Directivity ..... 18dB min
- VSWR Primary ..... 1.1:1 max
- VSWR Secondary ..... 1.25:1 max
- Impedance ..... 50 Ohms
- Waveguide Type ..... WR-137
- Flange Type ..... FDP70(UDR) Flange
- Coupling Port ..... N-Female
- Waveguide Body ..... Aluminum, Grey Painted
- Connector Body ..... Stainless Steel, Passivated
- Dimensions ..... 150×162mm



Drawing not to scale, units:mm



www.titan-microwave.com  
Tel: +86 185 8328 2993  
Email: sales@titan-microwave.com  
chris@titan-microwave.com

<b>PART NUMBER</b> <b>TWGDC137C35N</b>		<b>DESCRIPTION</b> Waveguide Dual Directional Cross Coupler, 5.8~6.8GHz Coupling 35 ± 1.0dB, WR-137, N-Female
<b>CAGE CODE</b>	<b>SIGNATURE</b> _____	
EXCEPT AS OTHERWISE PROVIDED BY CONTRACTOR THIS DRAWING OR SPECIFICATION IS PROPERTY OF TITAN MICROWAVE INC. IT IS ISSUED IN STRICT CONFIDENCE AND SHALL NOT BE REPRODUCED OR USED AS THE BASIS.		