

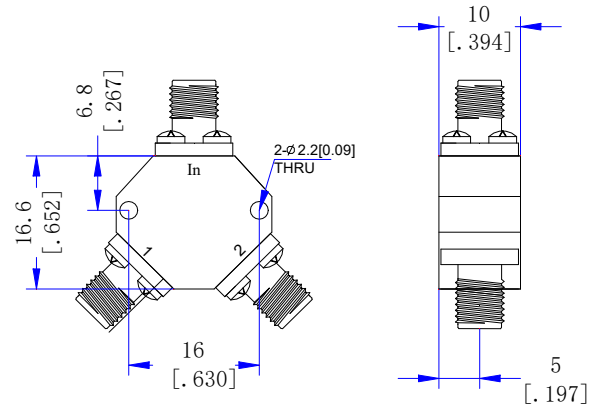
TMPD2-00002650-2S

DC to 26.5 GHz, 2W, SMA Female
2-WAY POWER RESISTIVE DIVIDER

Electrical Characteristics

Frequency Range	DC~26500MHz
Insertion Loss	7.5dB max.
Amplitude Balance	±0.4dB
Phase Balance	±3°
VSWR(input port)	1.2 typ. & 1.5 max.
VSWR(output ports)	1.35 typ. & 2.5 max.
Isolation	8dB min.
Impedance	50 Ohms
Power Rating	2W

Outline Drawing(mm[inch])



Mechanical and Environmental Characteristics

RF Connectors	SMA-Female
Surface Finishing	Sandblasted Silver
Operating Temperature	-32°C~+85°C