

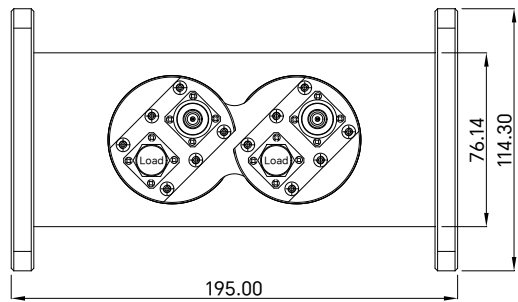
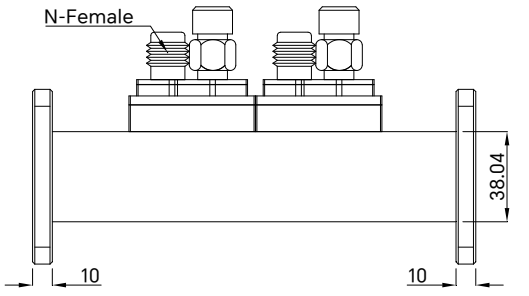
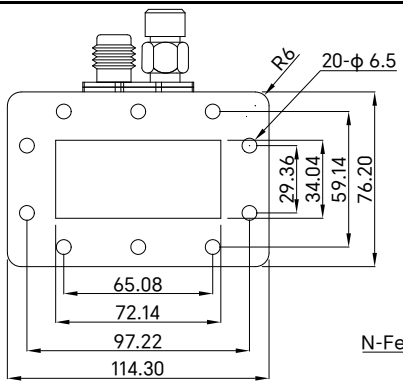
**PART NUMBER**  
**WGC284-4040-D30N**

REV.	DATE	COMMENTS	INITIAL
1	2021/7/30	ENGINEERING RELEASE	

**SPECIFICATIONS**

- Frequency Range ..... 2.95-3.05GHz
- Coupling ..... 40±0.5dB
- Directivity ..... 30dB min
- Insertion Loss ..... 0.1dB max
- VSWR Primary ..... 1.05:1 max
- VSWR Secondary ..... 1.15:1 max
- Frequency Sensitivity ..... ±0.1dB
- Impedance ..... 50 Ohms
- Input Average Power ..... 2000W max@25°C  
..... Derate linearly to 200W@100°C
- Waveguide Type ..... WR-284
- Flange Type ..... FDP32(UDR) Flange
- Coupled Port ..... N-Female
- Waveguide Body ..... Aluminum, Grey Painted
- Dimensions ..... 195(L)×114.3(W)×76.2(H)mm

RoHS Compliant



Drawing not to scale, units:mm



www.titan-microwave.com  
Tel: +86 185 8328 2993  
Email: sales@titan-microwave.com  
chris@titan-microwave.com

<b>PART NUMBER</b> <b>WGC284-4040-D30N</b>		<b>DESCRIPTION</b> Waveguide Dual Directional Loop Coupler WR-284, 2.95~3.05GHz, 40 ± 0.5dB, N-Female
<b>CAGE CODE</b>	<b>SIGNATURE</b> _____	
EXCEPT AS OTHERWISE PROVIDED BY CONTRACTOR THIS DRAWING OR SPECIFICATION IS PROPERTY OF TITAN MICROWAVE INC. IT IS ISSUED IN STRICT CONFIDENCE AND SHALL NOT BE REPRODUCED OR USED AS THE BASIS.		