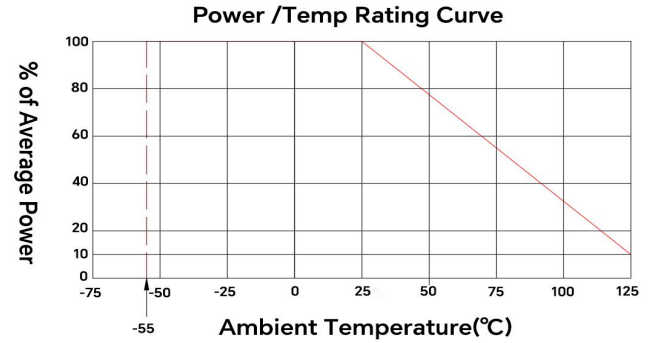


SPECIFICATIONS

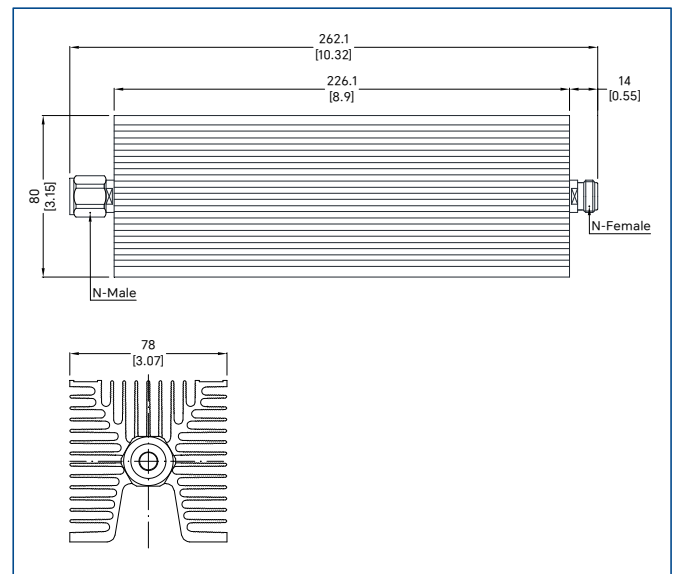
Frequency Range:	DC~8GHz
Input Avg Power:	200W@25°C
Impedance:	50 Ohms
Attenuation:	10-50dB
VSWR:	1.35 max.
Connector:	N-Male and N-Female
Operating Temp.:	-55°C~+125°C
Connector Body:	Gold plated brass
Female Center Contact:	Gold plated beryllium copper
Male Center Contact:	Gold plated brass
Heat Sink:	Black anodized aluminum
Dimensions:	78×80×262.1 mm
RoHS Status:	RoHS Compliant



Maximum Deviation over Frequency

Nominal ATTN(dB)	Frequency Range(GHz)			
	DC~4	DC~6	DC~8	
1~10	±1.0	±1.0	±1.0	-
11~20	±1.2	±1.2	±1.2	-
21~40	±1.2	±1.2	±1.5	-
50	±1.5	±1.5	±1.5	-
VSWR(Max.)	1.25	1.3	1.35	-

Dimensions[mm]



Ordering Information

TMFA8	X	N	200	-	XX
					XX: Attenuation dB value
					Average Power(W)
					RF Connector (N: N-Male and N-Female)
					X: Maximum Frequency(GHz) 4: DC~4GHz 6: DC~6GHz 8: DC~8GHz
Titan Microwave Fixed Attenuator					