

## Datasheet

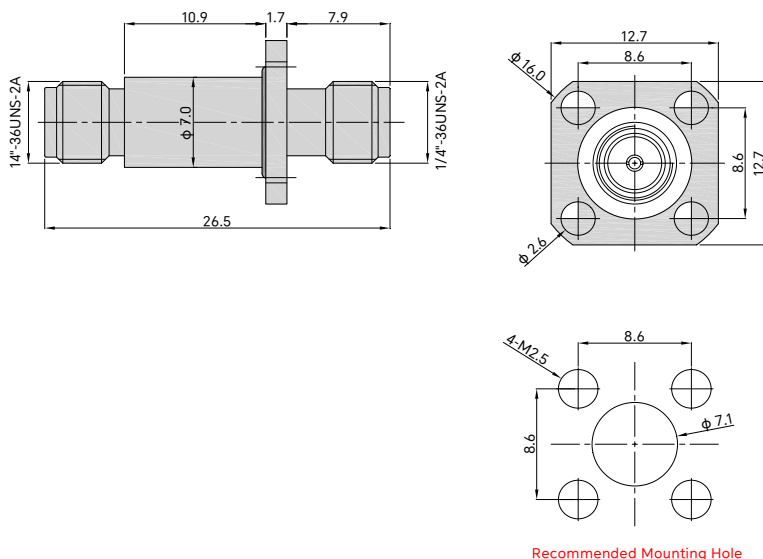
Model Number : TMCALSFSF-B

# Coaxial Adapter, In Series, 4 Hole Flange SMA-Female to SMA-Female, DC-18GHz

## Specifications

Frequency Range	DC-18GHz
Connector1	SMA-Female
Connector2	SMA-Female
VSWR	1.15:1
Insertion Loss	$0.04 \times \text{SQRT}[F(\text{GHz})]$ dB max
Impedance	50 Ohms
Durability(matings)	500 min
Insulation Resistance	5000MΩ min
Dielectric Withstanding Voltage	1000Vrms
Temperature Range	-55°C~+165°C
Weight	7g
Material	Stainless Steel(SU303), Passivated
Center Contact	Beryllium Copper Alloy, Gold Plated
Insulator	PTFE
RoHS Status	RoHS Compliant

Outline Drawing [mm[inch]]:



Recommended Mounting Hole