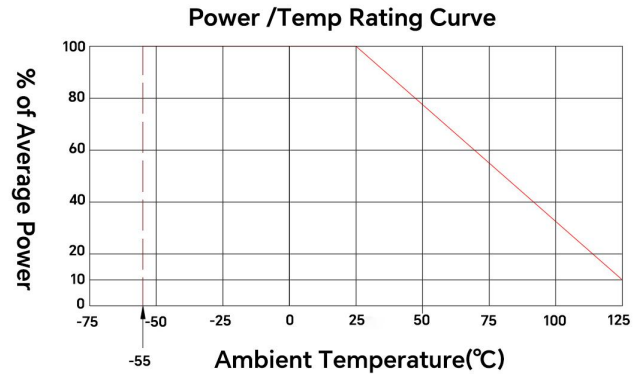


**SPECIFICATIONS**

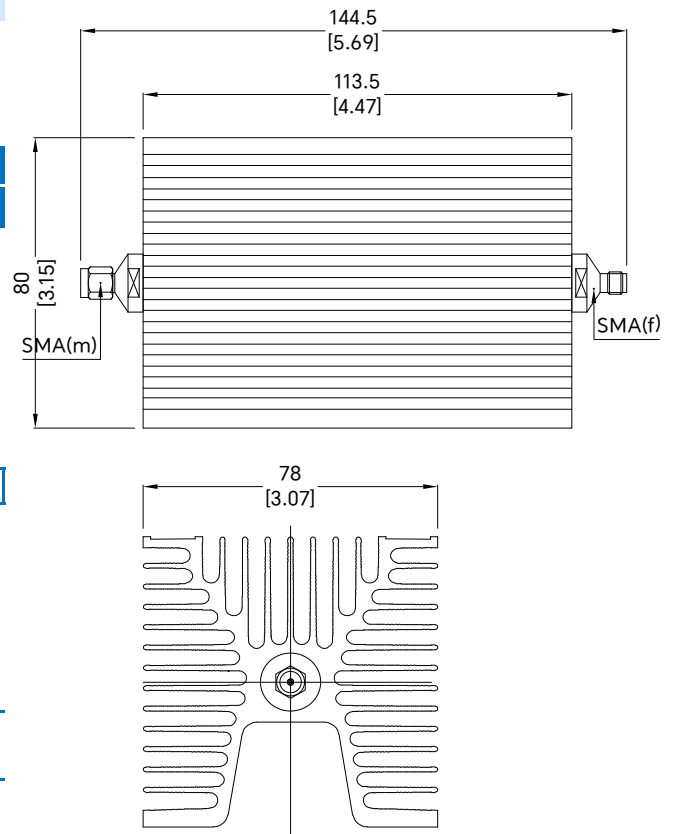
Frequency Range:	DC~8GHz
Input Avg Power:	100W@25°C
Impedance:	50 Ohms
Attenuation:	1-60dB
VSWR:	1.30 max.
Connector:	SMA-Male and SMA-Female
Operating Temp.:	-55°C~+125°C
Connector Body:	Gold plated brass / Stainless steel
Female Center Contact:	Gold plated beryllium copper
Male Center Contact:	Gold plated brass
Heat Sink:	Black anodized aluminum
Dimensions:	78 × 80 × 144.5mm
Weight	880g
RoHS Status:	RoHS Compliant



**Maximum Deviation over Frequency**

Nominal ATTN(dB)	Frequency Range(GHz)			-
	DC~4	DC~6	DC~8	
1-10	± 0.6	± 0.6	± 0.8	-
11-20	± 0.8	± 0.8	± 1.0	-
21-30	± 1.0	± 1.0	± 1.2	-
40	± 1.2	± 1.2	± 1.2	-
50	± 1.2	± 1.2	± 1.2	-
60	± 1.2	± 1.2	± 1.2	-
VSWR(max)	1.25	1.25	1.3	-

**Outline Drawing[mm]**



**Ordering Information**

