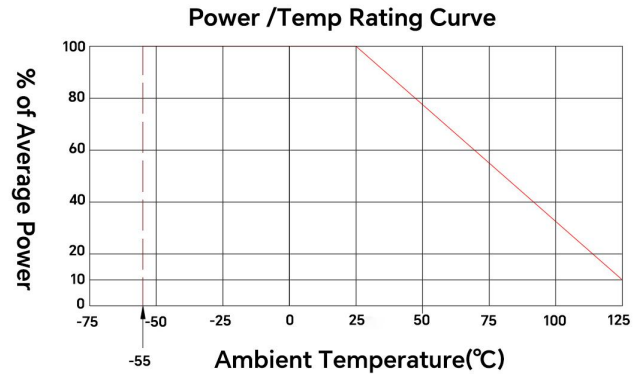


SPECIFICATIONS

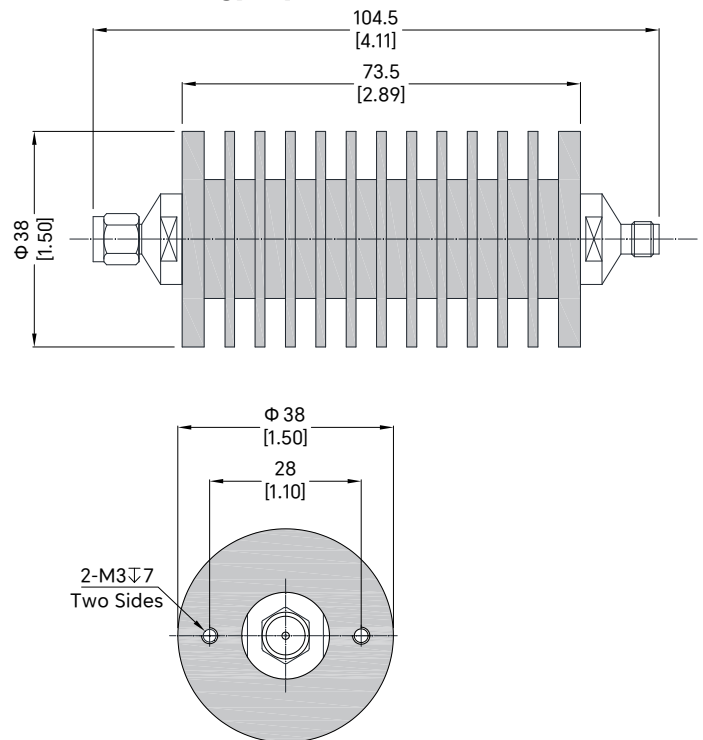
| | |
|------------------------|-------------------------------------|
| Frequency Range: | DC~8GHz |
| Input Avg Power: | 50W@25°C |
| Impedance: | 50 Ohms |
| Attenuation: | 1-60dB |
| VSWR: | 1.25 max. |
| Connector: | SMA-Male and SMA-Female |
| Operating Temp.: | -55°C~+125°C |
| Connector Body: | Gold plated brass / Stainless steel |
| Female Center Contact: | Gold plated beryllium copper |
| Male Center Contact: | Gold plated brass |
| Heat Sink: | Black anodized aluminum |
| Dimensions: | Φ38 × 104.5mm |
| Weight | 200g |
| RoHS Status: | RoHS Compliant |



Maximum Deviation over Frequency

| Nominal ATTN(dB) | Frequency Range(GHz) | | | |
|---------------------|----------------------|-------|-------|---|
| | DC~4 | DC~6 | DC~8 | |
| 1-10 | ± 0.6 | ± 0.6 | ± 0.8 | - |
| 11-20 | ± 0.8 | ± 0.8 | ± 1.0 | - |
| 25 | ± 1.0 | ± 1.0 | ± 1.1 | - |
| 30 | ± 1.0 | ± 1.0 | ± 1.1 | - |
| 40 | ± 1.0 | ± 1.0 | ± 1.3 | - |
| 50 | ± 1.2 | ± 1.2 | ± 1.3 | - |
| 60 | ± 1.2 | ± 1.2 | ± 1.3 | - |
| VSWR(max) | 1.2 | 1.2 | 1.25 | - |

Outline Drawing[mm]



Ordering Information

| | | | | | |
|--|----------|----------|-----------|----------|-----------|
| TMFA8 | X | S | 50 | - | XX |
| Titan Microwave Fixed Attenuator | | | | | |
| X: Maximum Frequency(GHz) | | | | | |
| 4: DC~4GHz | | | | | |
| 6: DC~6GHz | | | | | |
| 8: DC~8GHz | | | | | |
| S: RF Connector (S: SMA-Male and SMA-Female) | | | | | |
| Average Power(W) | | | | | |
| XX: Attenuation dB value | | | | | |