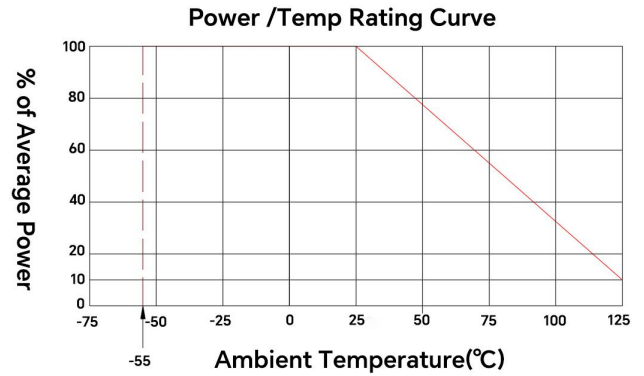


## SPECIFICATIONS

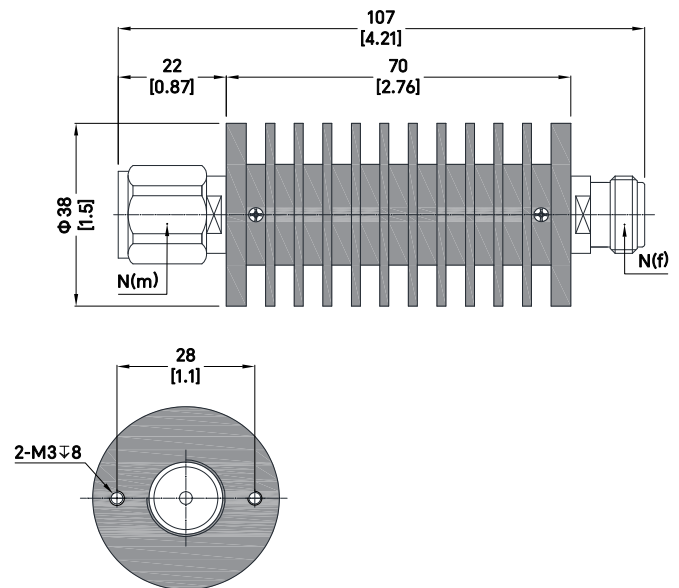
Frequency Range:	DC~8GHz
Input Avg Power:	50W@25°C
Impedance:	50 Ohms
Attenuation:	1-60dB
VSWR:	1.25 max.
Connector:	N-Male and N-Female
Operating Temp.:	-55°C~+125°C
Connector Body:	Gold plated brass / Stainless steel
Female Center Contact:	Gold plated beryllium copper
Male Center Contact:	Gold plated brass
Heat Sink:	Black anodized aluminum
Dimensions:	Φ38 × 107mm
Weight	180g
RoHS Status:	RoHS Compliant



## Maximum Deviation over Frequency

Nominal ATTN(dB)	Frequency Range(GHz)			
	DC~4	DC~6	DC~8	
1-10	±0.6	±0.6	±0.8	-
11-20	±0.8	±0.8	±1.0	-
21-40	±1.0	±1.0	±1.2	-
50	±1.2	±1.2	±1.3	-
60	±1.2	±1.2	±1.3	-
VSWR(max)	1.2	1.25	1.25	-

## Outline Drawing[mm]



## Ordering Information

TMFA8	X	N	50	-	XX
					XX: Attenuation dB value
					Average Power(W)
					RF Connector (N: N-Male and N-Female)
					X: Maximum Frequency(GHz) 4: DC~4GHz 6: DC~6GHz 8: DC~8GHz
					Titan Microwave Fixed Attenuator