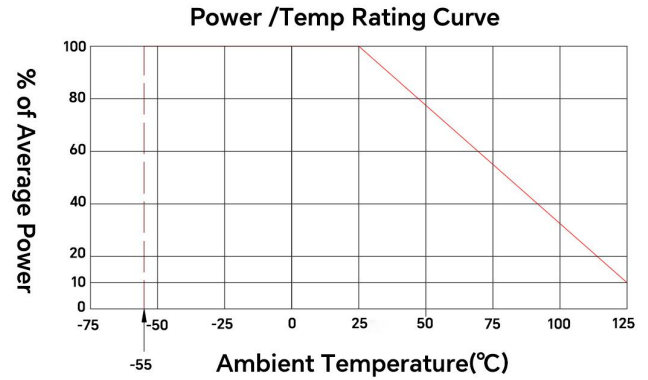


Specifications

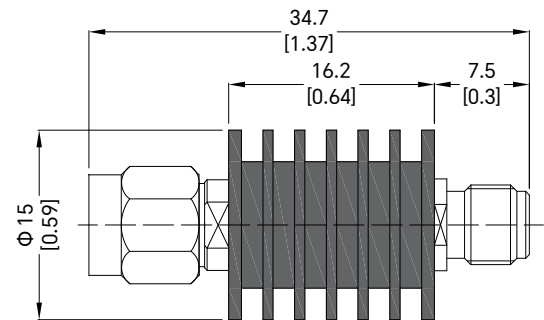
Frequency Range:	DC~18GHz
Input Avg Power:	5W@25°C
Impedance:	50 Ohms
Attenuation:	1-30dB
VSWR:	1.30 max.
Connector:	SMA-Male and SMA-Female
Operating Temp.:	-55°C~+125°C
Connector Body:	Gold plated brass / Stainless steel
Female Center Contact:	Gold plated beryllium copper
Male Center Contact:	Gold plated brass
Heat Sink:	Black anodized aluminum
Dimensions:	Ø15 × 34.7mm
Net Weight:	10g
RoHS Status:	RoHS Compliant



Maximum Deviation over Frequency

Nominal ATTN(dB)	Frequency Range(GHz)			
	DC~6	DC~8	DC~12.4	DC~18
1~10	± 0.6	± 0.6	± 0.6	± 0.6
11~20	± 0.8	± 0.8	± 0.8	± 0.8
21~30	± 1.0	± 1.0	± 1.0	± 1.0
VSWR(max)	1.2	1.25	1.3	1.3

Outline Drawing [mm[inch]]



Ordering Information

TMFA18	X	S	5A	-	XX
					XX: Attenuation dB value
					Average Power(W)
					RF Connector (S: SMA male and SMA female)
					X: Maximum Frequency(GHz)
					6: DC~6GHz
					8: DC~8GHz
					12: DC~12.4GHz
					18: DC~18GHz
					Titan Microwave Fixed Attenuator