

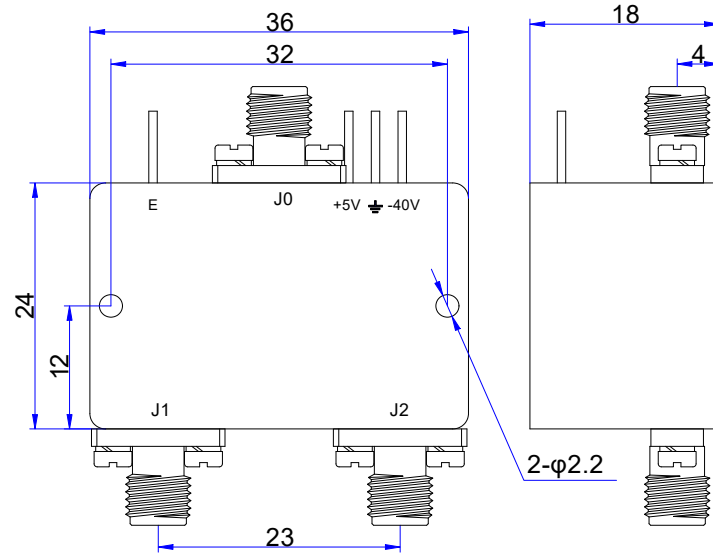
PART NUMBER
TMPS2-00020100-10S-R

REV.	DATE	COMMENTS	INITIAL
1	2021/5/17	ENGINEERING RELEASE	

SPECIFICATIONS

RoHS Compliant

Frequency Range 20-1000MHz
 Insertion Loss 1.5dB max.
 Isolation 60dB min.
 Input&Output VSWR 1.5 max.
 Input Power 10W(CW)
 Switching Speed 1us max.
 Positive Operating Voltage +5V/60mA
 Negative Operating Voltage -5V/-60mA
 Control TTL Low - 0
 TTL High - 1
 RF Connectors SMA-Female
 TTL Control Connector Solder Pin
 Dimensions 36×24×18mm



Drawing not to scale, units:mm

Control Truth Table

E	J0-J1	J0-J2
0	ON	OFF
1	OFF	ON

PART NUMBER
TMPS2-00020100-10S-R

DESCRIPTION
**PIN Diode Switch, SPDT, 20-1000MHz,
Reflective, 10W, SMA-Female**

CAGE CODE _____
SIGNATURE _____



EXCEPT AS OTHERWISE PROVIDED BY CONTRACTOR
THIS DRAWING OR SPECIFICATION IS PROPERTY OF
TITAN MICROWAVE INC. IT IS ISSUED IN STRICT
CONFIDENCE AND SHALL NOT BE REPRODUCED OR
USED AS THE BASIS.

www.titan-microwave.com
Tel: +86 130 866 58398
Email: sales@titan-microwave.com
chris@titan-microwave.com