

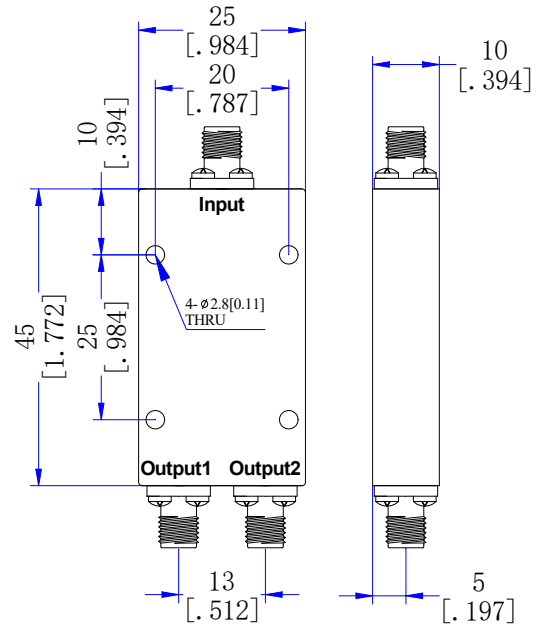
## TMPD2-02002200-20SA

2 to 22GHz, 20W, SMA-Female  
2-WAY POWER DIVIDER

### Electrical Characteristics

Frequency Range .....	2~22GHz
Insertion Loss .....	1.2dB max.
(excluding theoretical insertion loss 3.0dB)	
Amplitude Balance .....	± 0.4dB
Phase Balance .....	± 4 Deg.
VSWR(input port) .....	1.5 max.
VSWR(output ports) .....	1.5 max.
Isolation .....	17dB min.
Impedance .....	50 Ohms
Power Rating(as a Splitter) .....	20W
Power Rating(as a Combiner) .....	1W

### Outline Drawing(mm[inch])



### Mechanical and Environmental Characteristics

Dimensions .....	45 × 25 × 10mm
RF Connectors .....	SMA-Female
Surface Finishing .....	Black/Blue/Gray Paint
Operating Temperature .....	-45°C~+85°C
Weight .....	50g