

Normally Open

❖ Features

- DC-26.5 GHz
- Low VSWR
- Low Loss
- High Isolation
- SMA(f) connectors

❖ RF Characteristics

Frequency	Ins. Loss	Isolation	VSWR	Average Power
GHz	dB	dB		W
DC~6	0.3	70	1.3	80
6~12	0.4	60	1.4	60
12~18	0.5	55	1.5	50
18~26.5	0.7	50	1.7	15

Operating Voltage/Coil Current

Operating Voltage(V)	12	24	28
Current (mA)	300	150	140

TTL	Low(V)	High	
	0~0.3	3~5V	1.4mA

Indicator Rating	V(max)	mA(max)	Ω(max)
	50	100	15

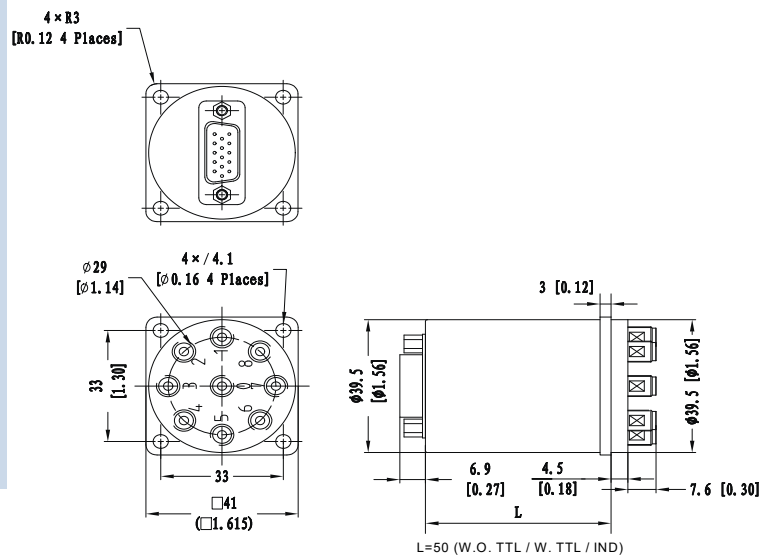
※ +Vdc and GND must be connected to operate



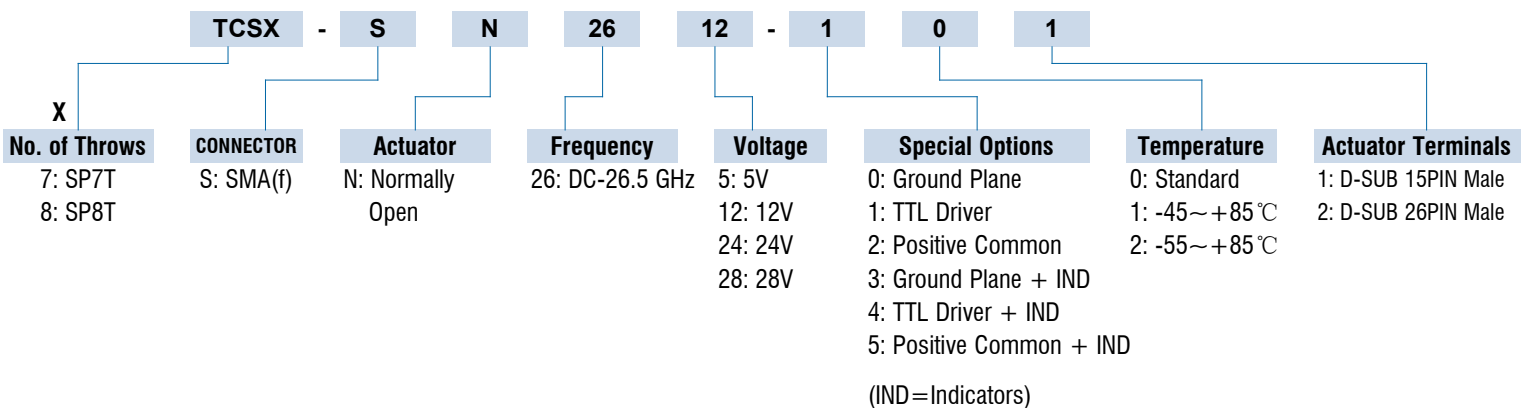
❖ Specifications

Frequency Range	DC-26.5 GHz
Impedance	50 Ohms
Switching Sequence	Break Before Make
Switching Time	15mS max
Operating Life	2 million cycles
Shock, Non-operating	50G, ½ Sine, 11ms
Vibration, Operating	20-2000Hz, 10G RMS
RF Interface	SMA female
Control Connector	D-SUB 15/26Pin Male
Storage Temperature	-55°C~+85°C
Operating Temperature	-25°C~+65°C (Standard) -45°C~+85°C (Extended Temp. 1) -55°C~+85°C (Extended Temp. 2)
Weight	145g

❖ Outline Drawing[mm[inch]]

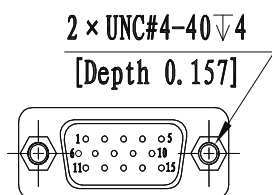


❖ Ordering Information

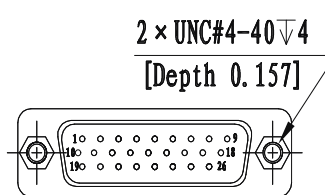


Please feel free to contact us for more information regarding additional options and custom configurations

Normally Open



DB15 male



DB26 male

Truth Table

NORMALLY OPEN W/O TTL

D-SUB 15/26Pin Male		RF Path		
Pin No.	Description	SP7T	SP8T	
1	V1	RF 1-0	RF 1-0	
2	V2	RF 2-0	RF 2-0	
3	V3	RF 3-0	RF 3-0	
4	V4	RF 4-0	RF 4-0	
5	V5	RF 5-0	RF 5-0	
6	V6	RF 6-0	RF 6-0	
7	V7	RF 7-0	RF 7-0	
8	V8	-	RF 8-0	
9	GND	-	-	
10	IND 1	Indicator	RF 1-0	
11	IND 2		RF 2-0	
12	IND 3		RF 3-0	
13	IND 4		RF 4-0	
14	IND 5		RF 5-0	
15	IND 6		RF 6-0	
16	IND 7		RF 7-0	
17	IND 8		-	RF 8-0
18	IND COM		-	-
19	VDC		-	-
20~26	N/A	-	-	

NORMALLY OPEN W/ TTL

D-SUB 15/26Pin Male		RF Path		
Pin No.	Description	SP7T	SP8T	
1	TTL	RF 1-0	RF 1-0	
2	TTL	RF 2-0	RF 2-0	
3	TTL	RF 3-0	RF 3-0	
4	TTL	RF 4-0	RF 4-0	
5	TTL	RF 5-0	RF 5-0	
6	TTL	RF 6-0	RF 6-0	
7	TTL	RF 7-0	RF 7-0	
8	TTL	-	RF 8-0	
9	VDC	-	-	
10	GND	RF 1-0	RF 1-0	
11	IND 1	Indicator	RF 2-0	
12	IND 2		RF 3-0	
13	IND 3		RF 4-0	
14	IND 4		RF 5-0	
15	IND 5		RF 6-0	
16	IND 6		RF 7-0	
17	IND 7		-	RF 8-0
18	IND 8		-	-
19	IND COM		-	-
20~26	N/A		-	-