

Normally Open

❖ Features

- DC-40 GHz
- Low VSWR
- Low Loss
- High Isolation
- 2.92mm(f) connectors

❖ RF Characteristics

Frequency	Ins. Loss	Isolation	VSWR	Average Power
GHz	dB	dB		W
DC~6	0.3	70	1.3	40
6~12	0.4	60	1.4	30
12~18	0.5	55	1.5	25
18~26.5	0.7	50	1.7	12
26.5~32	0.8	50	1.8	8
32~40	0.9	50	1.9	5



Operating Voltage/Coil Current

TTL	Low(V)	High	
	0~0.3	3~5V	1.4mA

Operating Voltage(V)		12	24	28
Current (mA)	Normally Open	300	150	140

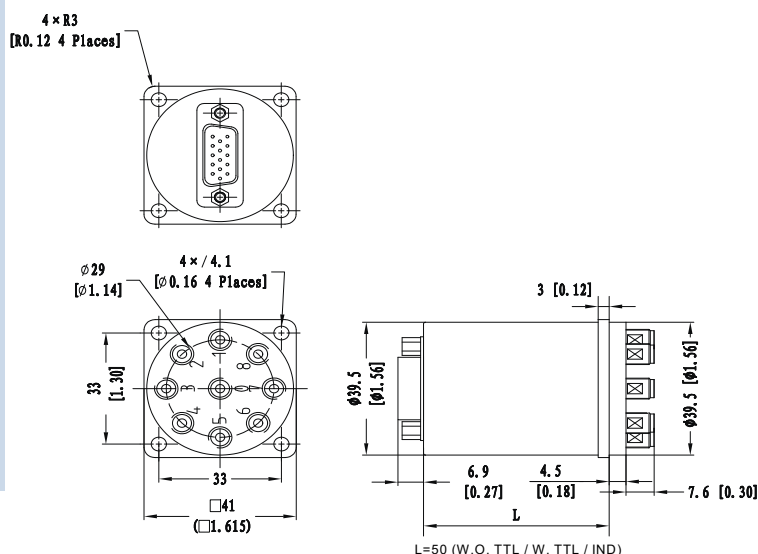
Indicator Rating	V(max)	mA(max)	Ω(max)
	50	100	15

\* +Vdc and GND must be connected to operate

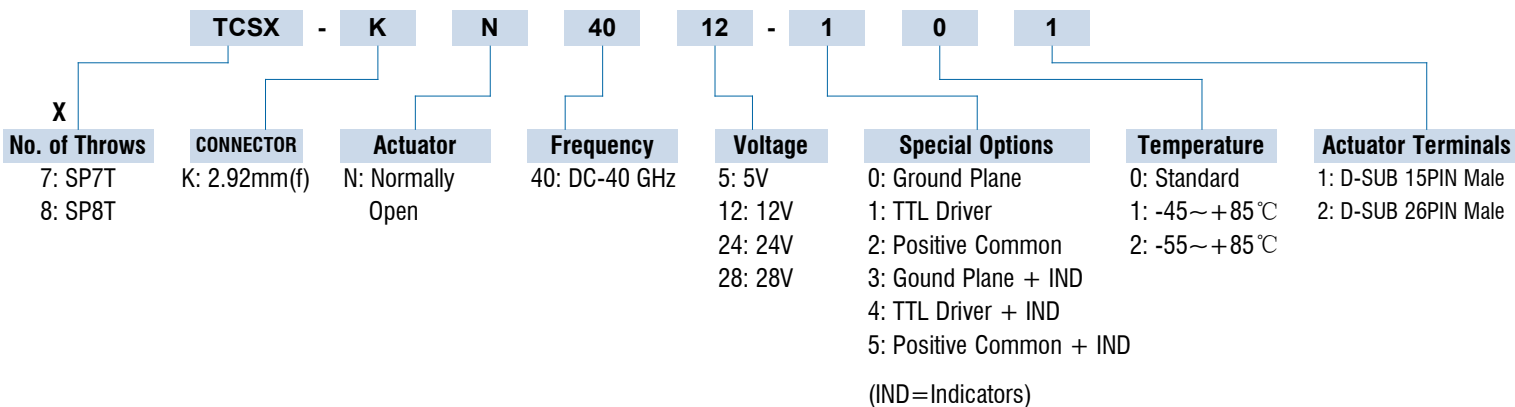
❖ Specifications

Frequency Range	DC-40 GHz
Impedance	50 Ohms
Switching Sequence	Break Before Make
Switching Time	15mS max
Operating Life	2 million cycles
Shock, Non-operating	50G, 1/2 Sine, 11ms
Vibration, Operating	20-2000Hz, 10G RMS
RF Interface	2.92mm female
Control Connector	D-SUB 15/26Pin Male
Storage Temperature	-55°C~+85°C
Operating Temperature	-25°C~+65°C (Standard) -45°C~+85°C (Extended Temp. 1) -55°C~+85°C (Extended Temp. 2)
Weight	145g

❖ Outline Drawing[mm[inch]]

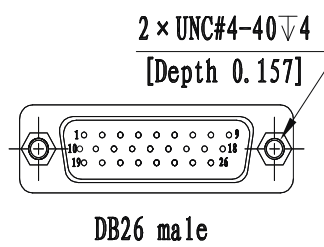
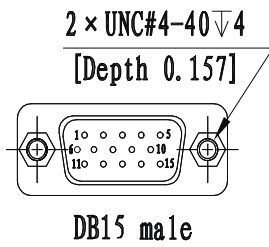


❖ Ordering Information



Please feel free to contact us for more information regarding additional options and custom configurations

Normally Open



Truth Table

**NORMALLY OPEN W/O TTL**

D-SUB 15/26Pin Male		RF Path	
Pin No.	Description	SP7T	SP8T
1	V1	RF 1-0	RF 1-0
2	V2	RF 2-0	RF 2-0
3	V3	RF 3-0	RF 3-0
4	V4	RF 4-0	RF 4-0
5	V5	RF 5-0	RF 5-0
6	V6	RF 6-0	RF 6-0
7	V7	RF 7-0	RF 7-0
8	V8	-	RF 8-0
9	GND	-	-
10	IND 1	RF 1-0	RF 1-0
11	IND 2	RF 2-0	RF 2-0
12	IND 3	RF 3-0	RF 3-0
13	IND 4	RF 4-0	RF 4-0
14	IND 5	RF 5-0	RF 5-0
15	IND 6	RF 6-0	RF 6-0
16	IND 7	RF 7-0	RF 7-0
17	IND 8	-	RF 8-0
18	IND COM	-	-
19	VDC	-	-
20~26	N/A	-	-

**NORMALLY OPEN W/ TTL**

D-SUB 15/26Pin Male		RF Path	
Pin No.	Description	SP7T	SP8T
1	TTL	RF 1-0	RF 1-0
2	TTL	RF 2-0	RF 2-0
3	TTL	RF 3-0	RF 3-0
4	TTL	RF 4-0	RF 4-0
5	TTL	RF 5-0	RF 5-0
6	TTL	RF 6-0	RF 6-0
7	TTL	RF 7-0	RF 7-0
8	TTL	-	RF 8-0
9	VDC	-	-
10	GND	RF 1-0	RF 1-0
11	IND 1	RF 2-0	RF 2-0
12	IND 2	RF 3-0	RF 3-0
13	IND 3	RF 4-0	RF 4-0
14	IND 4	RF 5-0	RF 5-0
15	IND 5	RF 6-0	RF 6-0
16	IND 6	RF 7-0	RF 7-0
17	IND 7	-	RF 8-0
18	IND 8	-	-
19	IND COM	-	-
20~26	N/A	-	-