

Normally Open

❖ Features

- DC-18 GHz
- Low VSWR
- Low Loss
- High Isolation
- SMA(f) connectors

❖ RF Characteristics

Frequency	Ins. Loss	Isolation	VSWR	Average Power
GHz	dB	dB		W
DC~6	0.3	70	1.3	80
6~12	0.4	60	1.4	60
12~18	0.6	50	1.6	50

Operating Voltage/Coil Current

Operating Voltage(V)		12	24	28
Current (mA)	Normally Open	300	150	140

TTL	Low(V)	High	
	0~0.3	3~5V	1.4mA

Indicator Rating	V(max)	mA(max)	Ω(max)
	50	100	15

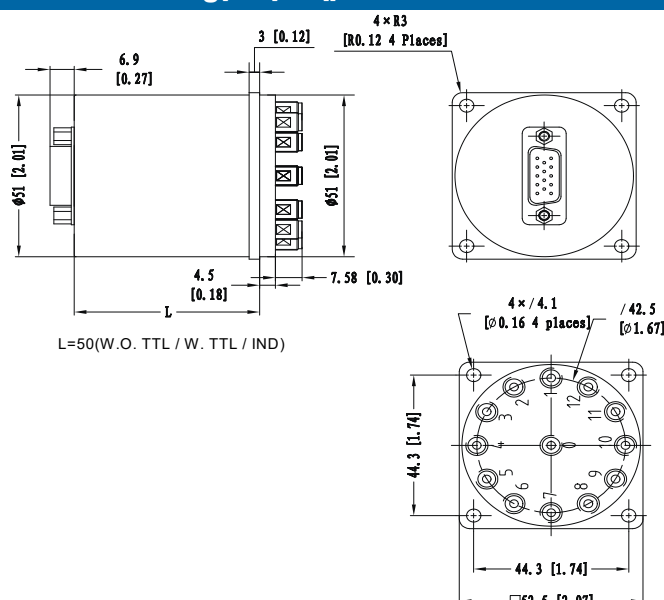
* +Vdc and GND must be connected to operate



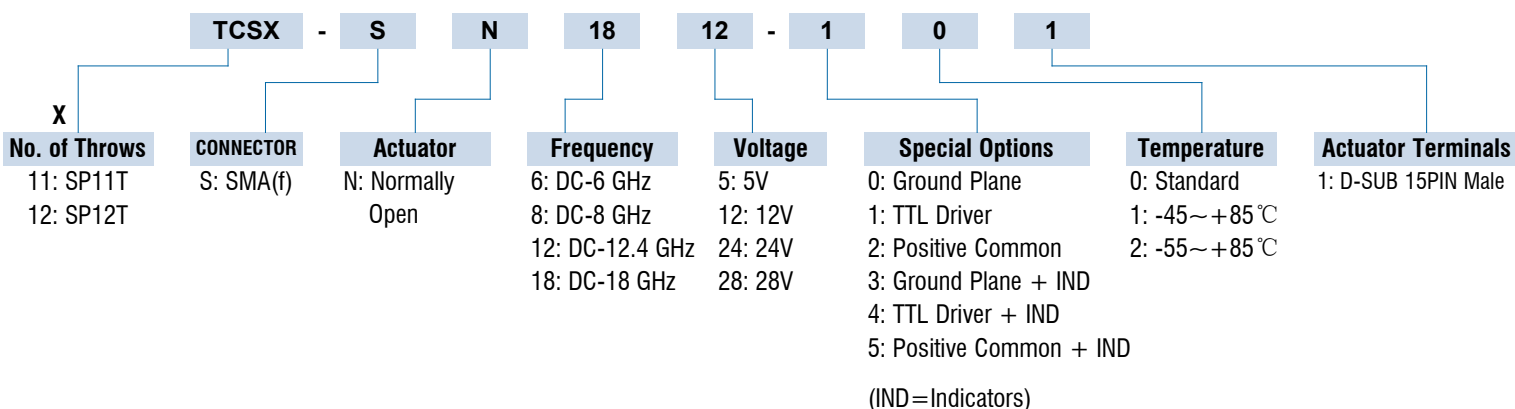
❖ Specifications

Frequency Range	DC-18 GHz
Impedance	50 Ohms
Switching Sequence	Break Before Make
Switching Time	15mS max
Operating Life	2 million cycles
Shock, Non-operating	50G, 1/2 Sine, 11ms
Vibration, Operating	20-2000Hz, 10G RMS
RF Interface	SMA female
Control Connector	D-SUB 15Pin Male
Storage Temperature	-55°C~+85°C
Operating Temperature	-25°C~+65°C (Standard) -45°C~+85°C (Extended Temp. 1) -55°C~+85°C (Extended Temp. 2)
Weight	225g

❖ Outline Drawing[mm[inch]]



❖ Ordering Information

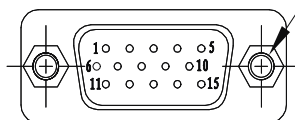


Please feel free to contact us for more information regarding additional options and custom configurations

Normally Open

2 × UNC#4-40▽4

[Depth 0.157]



DB15 male

Truth Table

NORMALLY OPEN W/O TTL

D-SUB 15Pin Male	Pin No.	1	2	3	4	5	6	7	8	9	10	11	12	13	14~15
	Description	V1	V2	V3	V4	V5	V6	V7	V8	V9	V10	V11	V12	GND	N/A
RF Path	SP11T	RF 1-0	RF 2-0	RF 3-0	RF 4-0	RF 5-0	RF 6-0	RF 7-0	RF 8-0	RF 9-0	RF 10-0	RF 11-0	-	-	-
	SP12T	RF 1-0	RF 2-0	RF 3-0	RF 4-0	RF 5-0	RF 6-0	RF 7-0	RF 8-0	RF 9-0	RF 10-0	RF 11-0	RF 12-0	-	-

NORMALLY OPEN W/ TTL

D-SUB 15Pin Male	Pin No.	1	2	3	4	5	6	7	8	9	10	11	12	13	14	15
	Description	TTL	TTL	TTL	TTL	TTL	TTL	TTL	TTL	TTL	TTL	TTL	TTL	TTL	VDC	GND
RF Path	SP11T	RF 1-0	RF 2-0	RF 3-0	RF 4-0	RF 5-0	RF 6-0	RF 7-0	RF 8-0	RF 9-0	RF10-0	RF11-0	-	-	-	-
	SP12T	RF 1-0	RF 2-0	RF 3-0	RF 4-0	RF 5-0	RF 6-0	RF 7-0	RF 8-0	RF 9-0	RF10-0	RF11-0	RF12-0	-	-	-