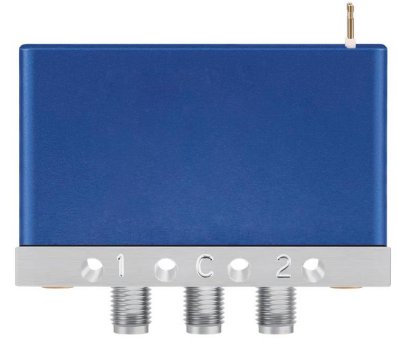


❖ Features

- DC-40 GHz
- Low VSWR
- Low Loss
- High Isolation
- 2.92mm(f) connectors

❖ RF Characteristics

Frequency	Ins. Loss	Isolation	VSWR	Average Power
GHz	dB	dB		W
DC~6	0.3	70	1.3	40
6~12	0.4	60	1.4	30
12~18	0.5	55	1.5	25
18~26.5	0.6	50	1.6	12
26.5~32	0.7	50	1.7	8
32~40	0.9	50	1.9	5



Operating Voltage/Coil Current

Operating Voltage(V)		12	24	28
Current (mA)	Failsafe	350	200	180
	Latching	400	200	180

TTL	Low(V)	High	
	0~0.3	3~5V	20mA

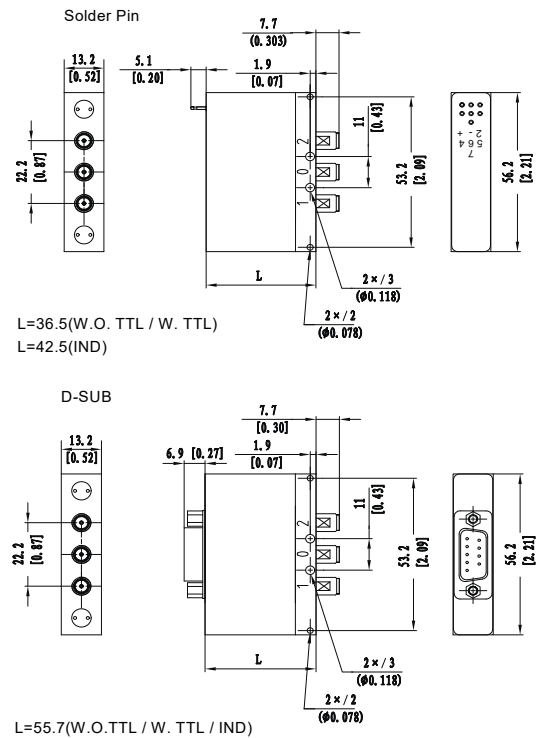
Indicator Rating	V(max)	mA(max)	Ω(max)
	50	100	15

※ +Vdc and GND must be connected to operate

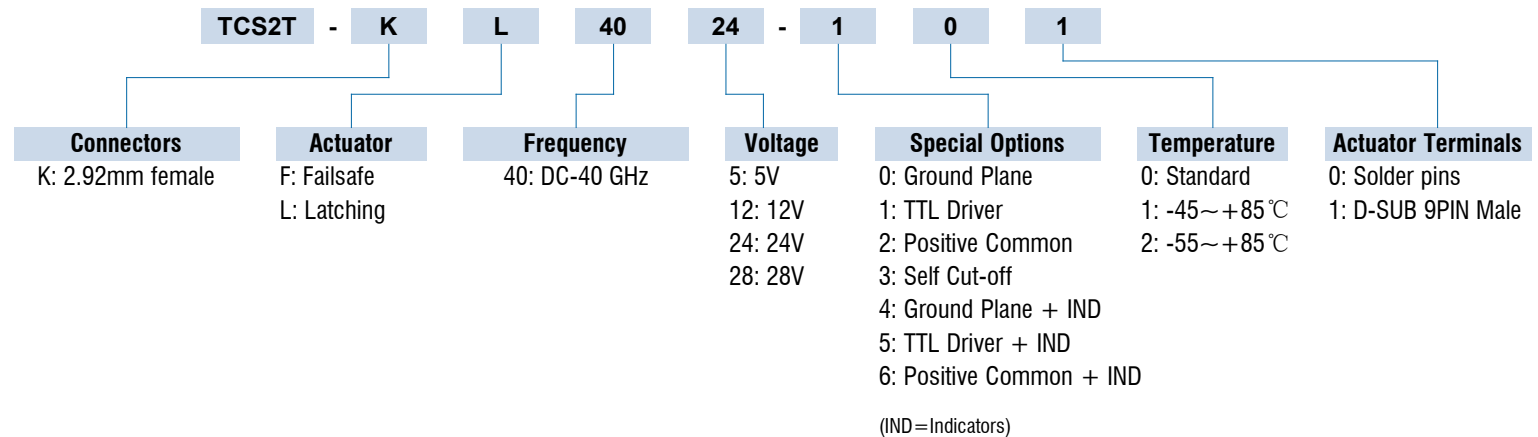
❖ Specifications

Frequency Range	DC-40 GHz
Impedance	50 Ohms
Switching Sequence	Break Before Make
Switching Time	15mS max
Operating Life	2 million cycles
Shock, Non-operating	50G, 1/2 Sine, 11ms
Vibration, Operating	20-2000Hz, 10G RMS
RF Interface	2.92mm female
Control Connector	Solder pins/D-SUB 9Pin Male
Storage Temperature	-55°C~+85°C
Operating Temperature	-25°C~+65°C (Standard)
	-45°C~+85°C (Extended Temp. 1)
	-55°C~+85°C (Extended Temp. 2)
Weight	70g

❖ Outline Drawing[mm[inch]]



❖ Ordering Information

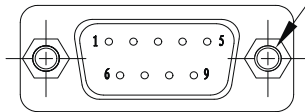


Please feel free to contact us for more information regarding additional options and custom configurations

Terminated, Failsafe/Latching

2 × UNC#4-40▽4

[Depth 0.157]



DB9 male

## Truth Table

## FAILSAFE W/O TTL

Solder pins/D-SUB 9Pin Male	Pin No.	1	2	3	4	5	6	7	8~9
	Description	V	N/A	GND	IND 1	IND 2	IND COM	VDC	N/A
RF Path	OFF / RF 1-0	RF 2-0	-	-	RF 1-0	RF 2-0	-	-	-

## FAILSAFE W/ TTL

Solder pins/D-SUB 9Pin Male	Pin No.	1	2	3	4	5	6	7~9
	Description	VDC	TTL	GND	IND 1	IND 2	IND COM	N/A
RF Path	OFF / RF 1-0	RF 2-0	-	-	RF 1-0	RF 2-0	-	-

## LATCHING W/O TTL

Solder pins/D-SUB 9Pin Male	Pin No.	1	2	3	4	5	6	7	8~9
	Description	V1	V2	GND	IND 1	IND 2	IND COM	VDC	N/A
RF Path	-	RF 1-0	RF 2-0	-	RF 1-0	RF 2-0	-	-	-

## LATCHING W/ TTL

Solder pins/D-SUB 9Pin Male	Pin No.	1	2	3	4	5	6	7	8~9
	Description	VDC	TTL	GND	TTL	IND 1	IND 2	IND COM	N/A
RF Path	-	-	RF 1-0	-	RF 2-0	RF 1-0	RF 2-0	-	-