

❖ Features

- DC-50 GHz
- Low VSWR
- Low Loss
- High Isolation
- 1.85mm(f) connectors

❖ RF Characteristics

Frequency	Ins. Loss	Isolation	VSWR	Average Power
GHz	dB	dB		W
DC~6	0.3	70	1.3	40
6~12	0.4	60	1.4	30
12~18	0.5	55	1.5	25
18~26.5	0.6	50	1.6	12
26.5~32	0.8	50	1.8	8
32~40	0.9	50	1.9	5
40~43	1.0	50	2.0	4
43~50	1.1	50	2.1	3

Operating Voltage/Coil Current

Operating Voltage(V)	12	24	28	
Current (mA)	Failsafe	350	200	180
	Latching	400	200	185

TTL	Low(V)	High	
	0~0.3	3~5V	20mA

Indicator Rating	V(max)	mA(max)	Ω(max)
	50	100	15

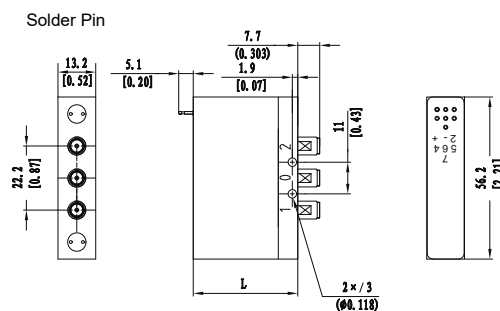
\* +Vdc and GND must be connected to operate



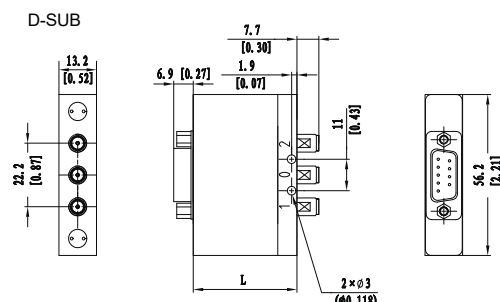
❖ Specifications

Frequency Range	DC-50 GHz
Impedance	50 Ohms
Switching Sequence	Break Before Make
Switching Time	15mS max
Operating Life	2 million cycles
Shock, Non-operating	50G, 1/2 Sine, 11ms
Vibration, Operating	20-2000Hz, 10G RMS
RF Interface	1.85mm female
Control Connector	Solder pins/D-SUB 9Pin Male
Storage Temperature	-55°C~+85°C
Operating Temperature	-25°C~+65°C (Standard)
	-45°C~+85°C (Extended Temp. 1)
	-55°C~+85°C (Extended Temp. 2)
Weight	75g

❖ Outline Drawing[mm[inch]]



L=38.7(W.O. TTL / W. TTL)  
L=42.7(IND)



L=55.9(W.O. TTL / W. TTL / IND)

❖ Ordering Information

TCS2T - V L 50 24 - 1 0 1

Connectors

V: 1.85mm female

Actuator

F: Failsafe  
L: Latching

Frequency

50: DC-50 GHz

Voltage

5: 5V  
12: 12V  
24: 24V  
28: 28V

Special Options

0: Ground Plane  
1: TTL Driver  
2: Positive Common  
3: Self Cut-off  
4: Ground Plane + IND  
5: TTL Driver + IND  
6: Positive Common + IND

(IND=Indicators)

Temperature

0: Standard  
1: -45~+85°C  
2: -55~+85°C

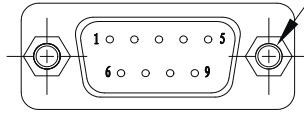
Actuator Terminals

0: Solder pins  
1: D-SUB 9PIN Male

Terminated, Failsafe/Latching

2 × UNC#4-40▽4

[Depth 0.157]



DB9 male

## Truth Table

## FAILSAFE W/O TTL

Solder pins/D-SUB 9Pin Male	Pin No.	1	2	3	4	5	6	7	8~9
	Description	V	N/A	GND	IND 1	IND 2	IND COM	VDC	N/A
RF Path	OFF / RF 1-0	RF 2-0	-	-	RF 1-0	RF 2-0	-	-	-

## FAILSAFE W/ TTL

Solder pins/D-SUB 9Pin Male	Pin No.	1	2	3	4	5	6	7~9
	Description	VDC	TTL	GND	IND 1	IND 2	IND COM	N/A
RF Path	OFF / RF 1-0	RF 2-0	-	-	RF 1-0	RF 2-0	-	-

## LATCHING W/O TTL

Solder pins/D-SUB 9Pin Male	Pin No.	1	2	3	4	5	6	7	8~9
	Description	V1	V2	GND	IND 1	IND 2	IND COM	VDC	N/A
RF Path	-	RF 1-0	RF 2-0	-	RF 1-0	RF 2-0	-	-	-

## LATCHING W/ TTL

Solder pins/D-SUB 9Pin Male	Pin No.	1	2	3	4	5	6	7	8~9
	Description	VDC	TTL	GND	TTL	IND 1	IND 2	IND COM	N/A
RF Path	-	-	RF 1-0	-	RF 2-0	RF 1-0	RF 2-0	-	-