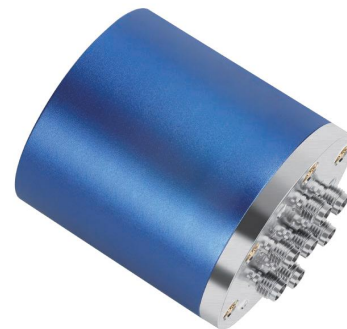


❖ Features

- DC-50 GHz
- Low VSWR
- Low Loss
- High Isolation
- 1.85mm(f) connectors

❖ RF Characteristics

Frequency	Ins. Loss	Isolation	VSWR	Average Power
GHz	dB	dB		W
DC~6	0.3	70	1.3	40
6~12	0.4	70	1.4	30
12~18	0.5	60	1.5	25
18~26.5	0.7	55	1.7	12
26.5~32	0.8	50	1.8	8
32~40	0.9	50	1.9	5
40~43	1.0	50	2.0	4
43~50	1.1	50	2.1	3



Operating Voltage/Coil Current

Operating Voltage(V)		12	24	28
Current (mA)	Normally Open	300	200	180
	Latching	320	200	180
	Latching(Reset)	1920	1200	1080

TTL	Low(V)	High	
	0~0.3	3~5V	1.4mA

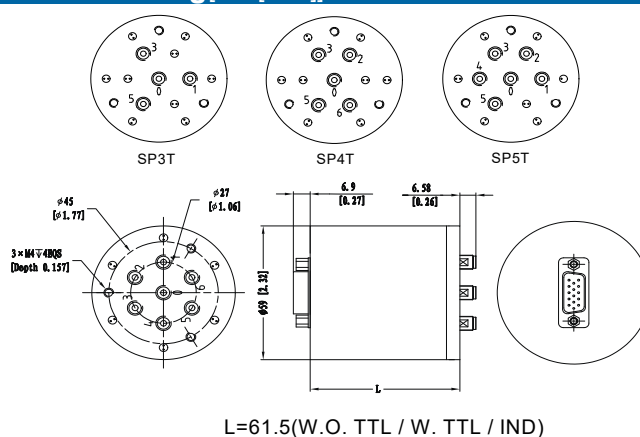
Indicator Rating	V(max)	mA(max)	Ω(max)
	50	100	15

※ +Vdc and GND must be connected to operate

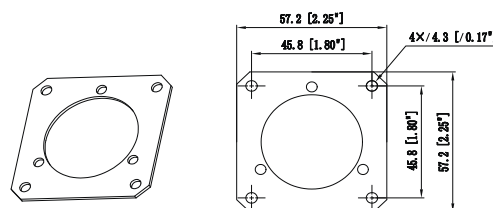
❖ Specifications

Frequency Range	DC-50 GHz
Impedance	50 Ohms
Switching Sequence	Break Before Make
Switching Time	15mS max
Operating Life	2 million cycles
Shock, Non-operating	50G, ½ Sine, 11ms
Vibration, Operating	20-2000Hz, 10G RMS
RF Interface	1.85mm female
Control Connector	D-SUB 15/26Pin Male
Storage Temperature	-55℃~+85℃
Operating Temperature	-25℃~+65℃ (Standard) -45℃~+85℃ (Extended Temp. 1) -55℃~+85℃ (Extended Temp. 2)
Weight	260g

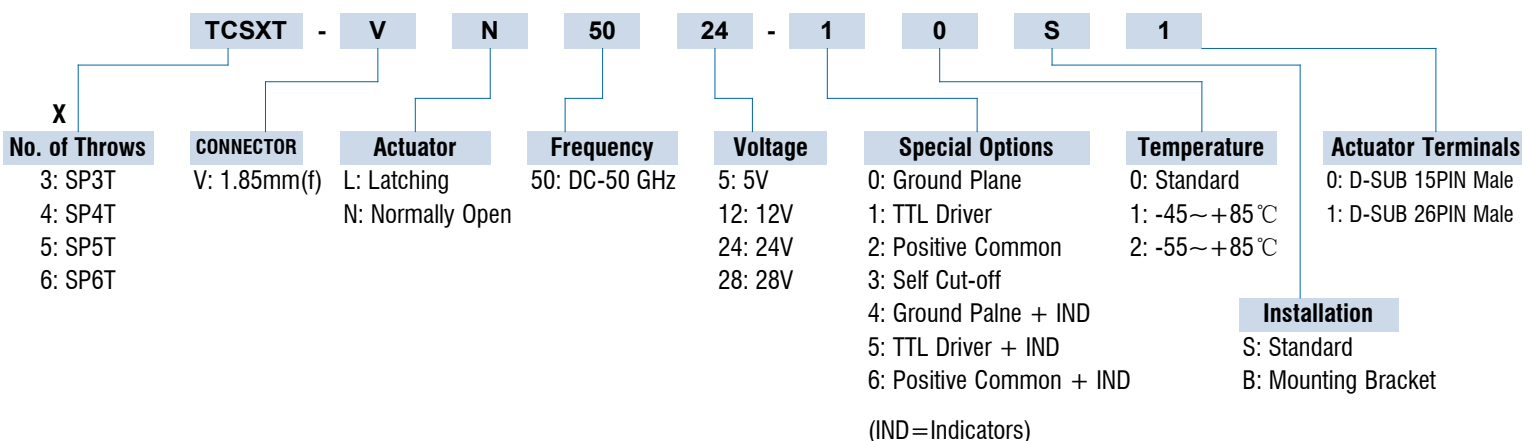
❖ Outline Drawing[mm[inch]]



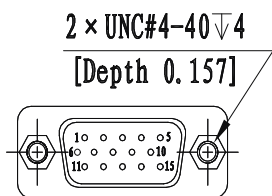
◆ Mounting Bracket



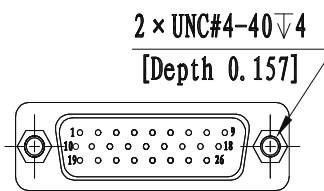
❖ Ordering Information



Terminated, Normally Open/Latching



DB15 male



DB26 male

Truth Table

LATCHING W/O TTL

D-SUB 15/26Pin Male		RF Path			
Pin No.	Description	SP3T	SP4T	SP5T	SP6T
1	V1	RF 1-0	-	RF 1-0	RF 1-0
2	V2	-	RF 2-0	RF 2-0	RF 2-0
3	V3	RF 3-0	RF 3-0	RF 3-0	RF 3-0
4	V4	-	-	RF 4-0	RF 4-0
5	V5	RF 5-0	RF 5-0	RF 5-0	RF 5-0
6	V6	-	RF 6-0	-	RF 6-0
7	V(Reset)	-	-	-	-
8	GND	-	-	-	-
9	IND 1	RF 1-0	-	RF 1-0	RF 1-0
10	IND 2	-	RF 2-0	RF 2-0	RF 2-0
11	IND 3	RF 3-0	RF 3-0	RF 3-0	RF 3-0
12	IND 4	-	-	RF 4-0	RF 4-0
13	IND 5	RF 5-0	RF 5-0	RF 5-0	RF 5-0
14	IND 6	-	RF 6-0	-	RF 6-0
15	IND COM	-	-	-	-
16	VDC	-	-	-	-
17~26	N/A	-	-	-	-

LATCHING W/ TTL

D-SUB 15/26Pin Male		RF Path			
Pin No.	Description	SP3T	SP4T	SP5T	SP6T
1	TTL	RF 1-0	-	RF 1-0	RF 1-0
2	TTL	-	RF 2-0	RF 2-0	RF 2-0
3	TTL	RF 3-0	RF 3-0	RF 3-0	RF 3-0
4	TTL	-	-	RF 4-0	RF 4-0
5	TTL	RF 5-0	RF 5-0	RF 5-0	RF 5-0
6	TTL	-	RF 6-0	-	RF 6-0
7	TTL(Reset)	-	-	-	-
8	VDC	-	-	-	-
9	GND	-	-	-	-
10	IND 1	RF 1-0	-	RF 1-0	RF 1-0
11	IND 2	-	RF 2-0	RF 2-0	RF 2-0
12	IND 3	RF 3-0	RF 3-0	RF 3-0	RF 3-0
13	IND 4	-	-	RF 4-0	RF 4-0
14	IND 5	RF 5-0	RF 5-0	RF 5-0	RF 5-0
15	IND 6	-	RF 6-0	-	RF 6-0
16	IND COM	-	-	-	-
17~26	N/A	-	-	-	-

NORMALLY OPEN W/O TTL

D-SUB 15Pin Male		RF Path			
Pin No.	Description	SP3T	SP4T	SP5T	SP6T
1	V1	RF 1-0	-	RF 1-0	RF 1-0
2	V2	-	RF 2-0	RF 2-0	RF 2-0
3	V3	RF 3-0	RF 3-0	RF 3-0	RF 3-0
4	V4	-	-	RF 4-0	RF 4-0
5	V5	RF 5-0	RF 5-0	RF 5-0	RF 5-0
6	V6	-	RF 6-0	-	RF 6-0
7	GND	-	-	-	-
8	IND 1	RF 1-0	-	RF 1-0	RF 1-0
9	IND 2	-	RF 2-0	RF 2-0	RF 2-0
10	IND 3	RF 3-0	RF 3-0	RF 3-0	RF 3-0
11	IND 4	-	-	RF 4-0	RF 4-0
12	IND 5	RF 5-0	RF 5-0	RF 5-0	RF 5-0
13	IND 6	-	RF 6-0	-	RF 6-0
14	IND COM	-	-	-	-
15	VDC	-	-	-	-

NORMALLY OPEN W/ TTL

D-SUB 15Pin Male		RF Path			
Pin No.	Description	SP3T	SP4T	SP5T	SP6T
1	TTL	RF 1-0	-	RF 1-0	RF 1-0
2	TTL	-	RF 2-0	RF 2-0	RF 2-0
3	TTL	RF 3-0	RF 3-0	RF 3-0	RF 3-0
4	TTL	-	-	RF 4-0	RF 4-0
5	TTL	RF 5-0	RF 5-0	RF 5-0	RF 5-0
6	TTL	-	RF 6-0	-	RF 6-0
7	VDC	-	-	-	-
8	GND	-	-	-	-
9	IND 1	RF 1-0	-	RF 1-0	RF 1-0
10	IND 2	-	RF 2-0	RF 2-0	RF 2-0
11	IND 3	RF 3-0	RF 3-0	RF 3-0	RF 3-0
12	IND 4	-	-	RF 4-0	RF 4-0
13	IND 5	RF 5-0	RF 5-0	RF 5-0	RF 5-0
14	IND 6	-	RF 6-0	-	RF 6-0
15	IND COM	-	-	-	-

Please feel free to contact us for more information regarding additional options and custom configurations