

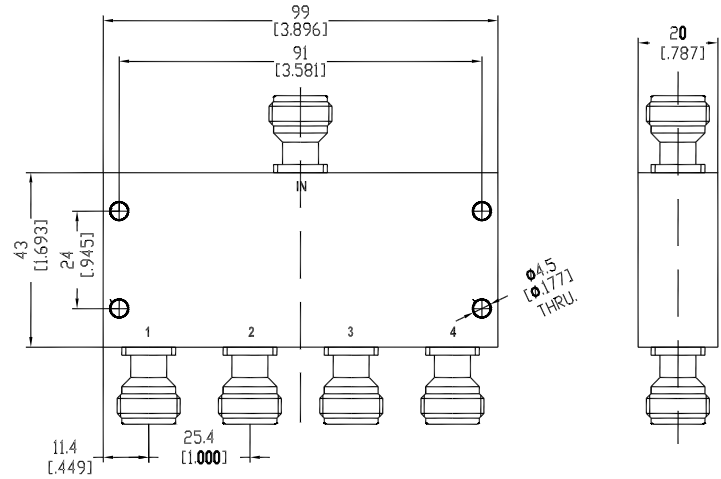
**TMPD4-04400500-30N**

**4.4 to 5 GHz, 30W, N-Female  
4-WAY POWER DIVIDER**

**Electrical Characteristics**

- Frequency Range** ..... 4.4~5GHz
- Insertion Loss** ..... 1.4dB max  
(excluding theoretical insertion loss 6.0dB)
- Amplitude Balance** .....  $\pm 0.5$ dB max
- Phase Balance** .....  $\pm 5^\circ$  max
- VSWR(input port)** ..... 1.5:1 max
- VSWR(output ports)** ..... 1.4:1 max
- Isolation** ..... 18dB min
- Impedance** ..... 50 Ohms
- Power Handling(forward)** ..... 30W
- Power Handling(reverse)** ..... 1W

**Outline Drawing(mm[inch])**



**Mechanical & Environmental Characteristics**

- Dimensions** ..... 99 × 43 × 20mm
- RF Connectors** ..... N-Female
- Material** ..... Aluminum
- Surface Finishing** ..... Black/Blue/Gray Paint
- Operating Temperature** ..... -40°C~+85°C
- Storage Temperature** ..... -50°C~+105°C
- Weight** ..... 260g