

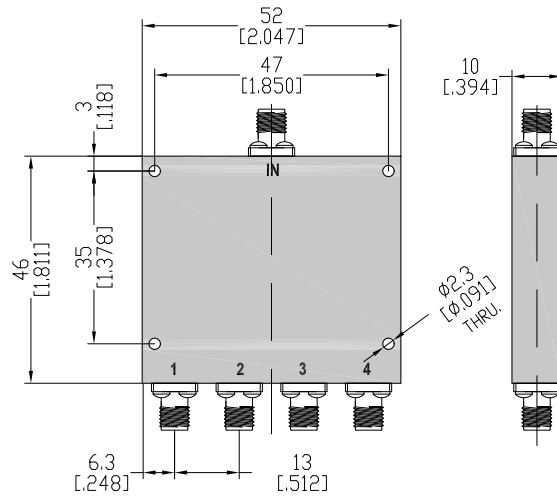
**TMPD4-08002000-20S**

**8 to 20 GHz, 20W, SMA-Female  
4-WAY POWER DIVIDER**

**Electrical Characteristics**

- Frequency Range** ..... 8~20GHz
- Insertion Loss** ..... 1.6dB max.  
(excluding theoretical insertion loss 6.0dB)
- Amplitude Balance** .....  $\pm 0.5$ dB max
- Phase Balance** .....  $\pm 5^\circ$  max
- VSWR(input port)** ..... 1.6:1 max
- VSWR(output ports)** ..... 1.6:1 max
- Isolation** ..... 16dB min
- Impedance** ..... 50 Ohms
- Power Handling(forward)** ..... 20W max
- Power Handling(reverse)** ..... 1W max

**Outline Drawing(mm[inch])**



**Mechanical & Environmental Characteristics**

- Dimensions** ..... 52 × 46 × 10mm
- RF Connectors** ..... SMA-Female
- Surface Finishing** ..... Black/Blue/Gray Paint
- Weight** ..... 60g
- Operating Temperature** ..... -40°C~+85°C
- Storage Temperature** ..... -50°C~+105°C