

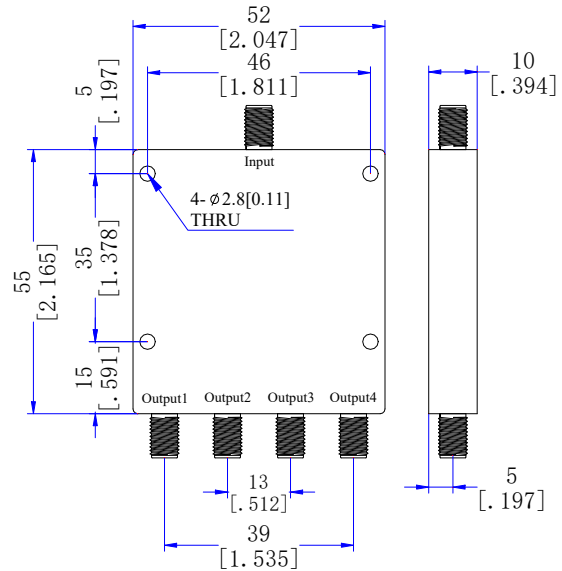
TMPD4-02001800-20SC

**2 to 18 GHz, 20W, SMA-Female
 4-WAY POWER DIVIDER**

Electrical Characteristics

- Frequency Range** 2~18GHz
- Insertion Loss** 1.6dB max
 (excluding theoretical insertion loss 6.0dB)
- Amplitude Balance** ± 0.4 dB max
- Phase Balance** $\pm 6^\circ$ max
- VSWR(input port)** 1.5:1 max
- VSWR(output ports)** 1.4:1 max
- Isolation** 18dB min
- Impedance** 50 Ohms
- Power Rating** 20W (as a splitter)
 1W (as a combiner)

Outline Drawing(mm[inch])



Mechanical & Environmental Characteristics

- Dimensions** 52 × 55 × 10mm
- RF Connectors** SMA-Female(stainless steel)
- Material** Aluminum
- Surface Finishing** Black/Blue/Gray Paint
- Operating Temperature** -40°C~+85°C
- Storage Temperature** -50°C~+105°C
- Weight** 80g