

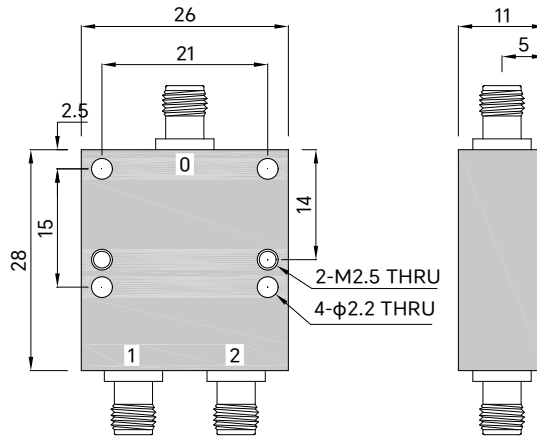
TMPD2-02000800-15S

**2 to 8 GHz, 15W, SMA-Female
2-WAY POWER DIVIDER**

Electrical Characteristics

- Frequency Range** 2~8GHz
- Insertion Loss** 0.8dB max
(excluding theoretical insertion loss 3.0dB)
- Amplitude Balance** ± 0.3 dB max
- Phase Balance** $\pm 5^\circ$ max
- VSWR(input port)** 1.3:1 max
- VSWR(output ports)** 1.3:1 max
- Isolation** 20dB min
- Impedance** 50 Ohms
- Power Handling** 15W

Outline Drawing(mm[inch])



Mechanical & Environmental Characteristics

- Dimensions** 28 × 26 × 11mm
- RF Connectors** SMA-Female
- Material** Aluminum 6061
- Surface Finishing** Conductive Oxidation
- Operating Temperature** -40°C~+85°C