

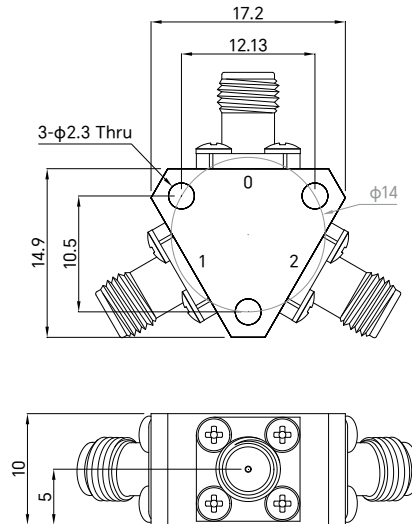
TMPD2-00007000-0.5V

**DC to 70 GHz, 0.5W, 1.85mm-Female
2-WAY POWER DIVIDER**

Electrical Characteristics

Frequency Range	DC~70GHz
Insertion Loss	11dB max
Amplitude Balance	±1.0dB max
Phase Balance	±8° max
VSWR(input port)	1.8:1 max
VSWR(output ports)	1.8:1 max
Isolation	8dB min
Impedance	50 Ohms
Power Handling	0.5W

Outline Drawing(mm[inch])



Mechanical & Environmental Characteristics

Dimensions	14.9 × 17.2 × 10mm
RF Connectors	1.85mm-Female(stainless steel)
Material	Aluminum 6061
Surface Finishing	Natural color conductive oxidation
Operating Temperature	-40°C~+70°C