

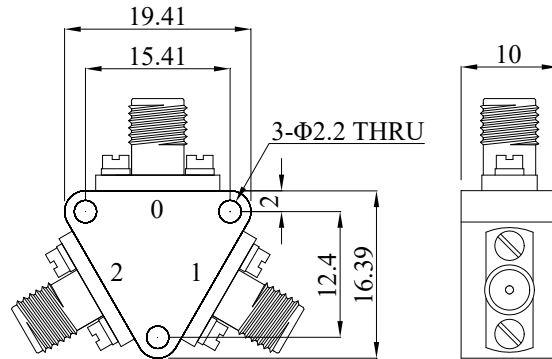
**TMPD2-00004000-0.5K**

**DC to 40GHz, 0.5W, 2.92mm-Female  
2-WAY POWER DIVIDER**

**Electrical Characteristics**

**Frequency Range** ..... DC~40GHz  
**Insertion Loss** ..... 7dB typ, 8dB max  
 (excluding theoretical insertion loss 3.0dB)  
**Amplitude Balance** .....  $\pm 1.0$ dB max  
**Phase Balance** .....  $\pm 10^\circ$  max  
**VSWR(input port)** ..... 2.2:1 typ, 2.6:1 max  
**VSWR(output ports)** ..... 2.2:1 typ, 2.6:1 max  
**Isolation** ..... 9.5dB min, 11dB typ  
**Impedance** ..... 50 Ohms  
**Power Handling** ..... 0.5W

**Outline Drawing(mm[inch])**



**Mechanical & Environmental Characteristics**

**Dimensions** ..... 19.41 × 16.39 × 10mm  
**RF Connectors** ..... 2.92mm-Female( $\Phi 0.3$ mm pin, replacable)  
**Operating Temperature** .....  $-40^\circ\text{C} \sim +70^\circ\text{C}$