

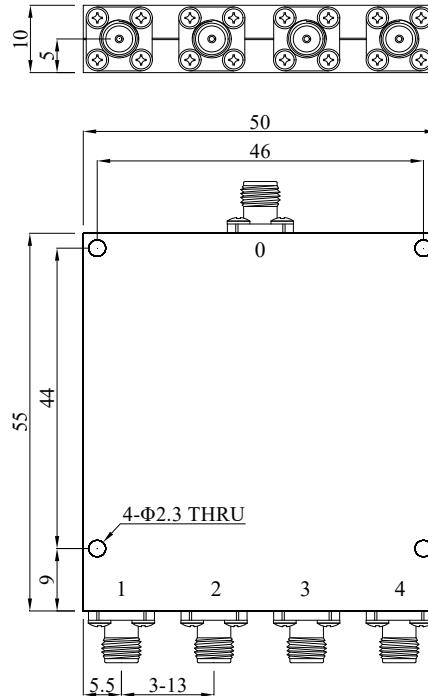
TMPD4-06004000-15K

**6 to 40GHz, 15W, 2.92mm-Female
4-WAY POWER DIVIDER**

Electrical Characteristics

- Frequency Range** 6~40GHz
- Insertion Loss** 2.0dB max
(excluding theoretical loss 6.0dB)
- Amplitude Balance** ± 0.5 dB max
- Phase Balance** $\pm 6^\circ$ max
- VSWR(input port)** 1.5:1 min
- VSWR(output ports)** 1.5:1 min
- Isolation** 15dB min
- Impedance** 50 Ohms
- Power Handling** 15W

Outline Drawing(mm)



Mechanical & Environmental Characteristics

- Dimensions** 55 × 50 × 10mm
- RF Connectors** 2.92mm-Female
- Material** Aluminum 6061
- Surface Finishing** Natural color conductive oxidation
- Operating Temperature** -40°C~+85°C
- Storage Temperature** -50°C~+105°C