

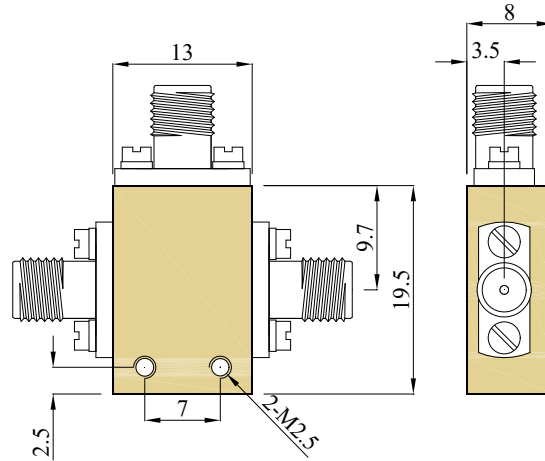
## TMPD2-20003000-5K

20 to 30 GHz, 5W, 2.92mm-Female  
2-WAY POWER DIVIDER

### Electrical Characteristics

<b>Frequency Range</b> .....	20~30GHz
<b>Insertion Loss</b> .....	0.9dB max.
(excluding theoretical insertion loss 3.0dB)	
<b>Amplitude Balance</b> .....	± 0.4dB max
<b>Phase Balance</b> .....	± 6° max
<b>VSWR(input port)</b> .....	1.4:1 max
<b>VSWR(output ports)</b> .....	1.4:1 max
<b>Isolation</b> .....	17dB min
<b>Impedance</b> .....	50 Ohms
<b>Power Rating</b> .....	5W

### Outline Drawing(mm)



### Mechanical & Environmental Characteristics

<b>Dimensions</b> .....	13 × 19.5 × 8mm
<b>RF Connectors</b> .....	2.92mm-Female
<b>Material</b> .....	Aluminum 6061
<b>Surface Treatment</b> .....	Gold Plated
<b>Operating Temperature</b> .....	-40°C~+85°C
<b>Storage Temperature</b> .....	-55°C~+85°C