

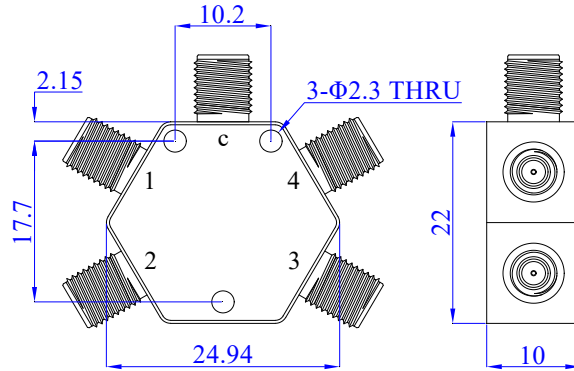
**TMPD4-00002650-0.5S**

**DC to 26.5 GHz, 0.5W, SMA-Female  
4-WAY POWER DIVIDER**

**Electrical Characteristics**

Frequency Range .....	DC~26.5GHz
Insertion Loss .....	12.5dB typ, 13.5dB max
Amplitude Balance .....	± 2dB typ, ± 2.5dB max
Phase Balance .....	± 7° typ, ± 12° max
VSWR(input port) .....	2.8:1 typ, 3.3:1 max
VSWR(output ports) .....	2.8:1 typ, 3.3:1 max
Isolation .....	17dB min, 19dB typ
Impedance .....	50 Ohms
Power Handling .....	0.5W

**Outline Drawing(mm[inch])**



**Mechanical & Environmental Characteristics**

Dimensions .....	24.94 × 22 × 10mm
RF Connectors .....	SMA-Female
Surface Treatment .....	Gold Plated
Operating Temperature .....	-40°C~+70°C