

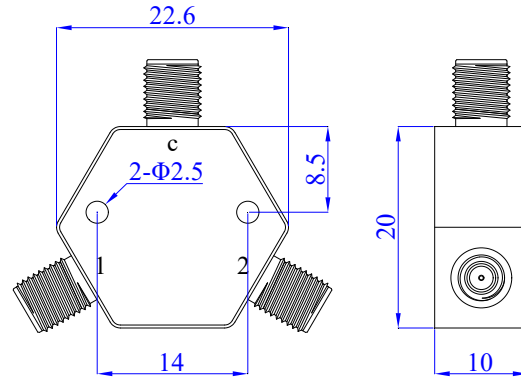
TMPD2-00002650-10S

**DC to 26.5GHz, 10W, SMA-Female
2-WAY POWER DIVIDER**

Electrical Characteristics

Frequency Range DC~26.5GHz
Insertion Loss 6.5dB typ, 7.0dB max
 (excluding theoretical insertion loss 3.0dB)
Amplitude Balance ± 0.5 dB typ, ± 1 dB max
Phase Balance $\pm 5^\circ$ typ, $\pm 8^\circ$ max
VSWR(input port) 2.0:1 typ, 2.2:1 max
VSWR(output ports) 2.0:1 typ, 2.5:1 max
Isolation 9dB min, 10dB typ
Impedance 50 Ohms
Power Handling 10W

Outline Drawing(mm)



Mechanical & Environmental Characteristics

Dimensions 22.6 × 20 × 10mm
RF Connectors SMA-Female(stainless steel)
Surface Treatment Gold Plated
Operating Temperature -40°C~+70°C