

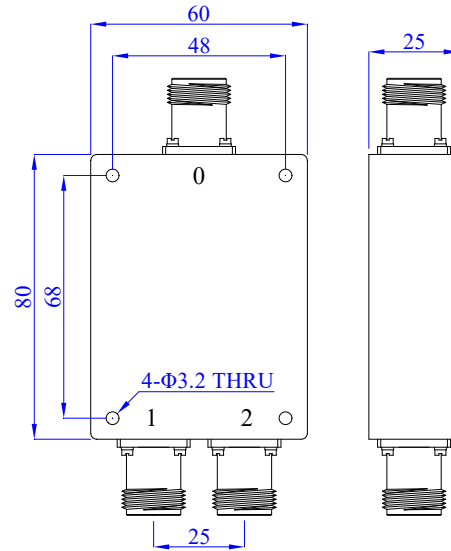
TMPD2-00020100-200N

**0.02 to 1 GHz, 200W, N-Female
2-WAY POWER DIVIDER**

Electrical Characteristics

Frequency Range 0.02~1GHz
Insertion Loss 0.6dB max
 (excluding theoretical insertion loss 3.0dB)
Amplitude Balance ± 0.3 dB max
Phase Balance $\pm 5^\circ$ max
VSWR(input port) 1.4:1 max
VSWR(output ports) 1.4:1 max
Isolation 20dB min
Impedance 50 Ohms
Power Handling 200W

Outline Drawing(mm)



Mechanical & Environmental Characteristics

Dimensions 80 × 60 × 25mm
RF Connectors N-Female
Material Aluminum 6061
Operating Temperature -40°C~+85°C
Storage Temperature -50°C~+105°C