

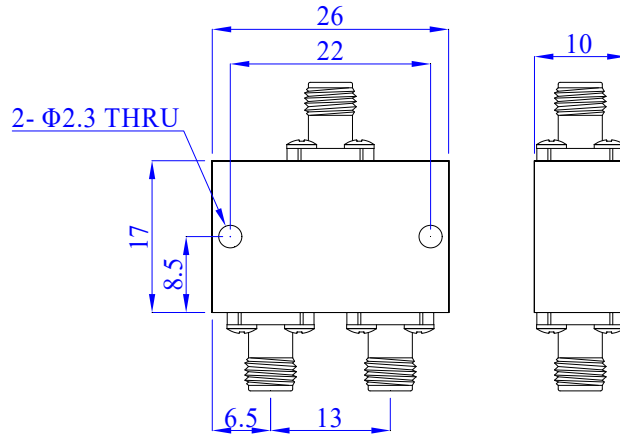
TMPD2-18005000-104

**18 to 50 GHz, 10W, 2.4mm-Female
2-WAY POWER DIVIDER**

Electrical Characteristics

- Frequency Range** 18~50GHz
- Insertion Loss** 1.0dB max
(excluding theoretical insertion loss 3.0dB)
- Amplitude Balance** ± 0.6 dB max
- Phase Balance** $\pm 10^\circ$ max
- VSWR(input port)** 1.5:1 typ, 1.6:1 max
- VSWR(output ports)** 1.5:1 typ, 1.7:1 max
- Isolation** 13dB min
- Impedance** 50 Ohms
- Power Handling** 10W

Outline Drawing(mm)



Mechanical & Environmental Characteristics

- Dimensions** 26 × 17 × 10mm
- RF Connectors** 2.4mm-Female(stainless steel)
- Material** Aluminum 6061
- Operating Temperature** -40°C~+85°C
- Storage Temperature** -50°C~+105°C