

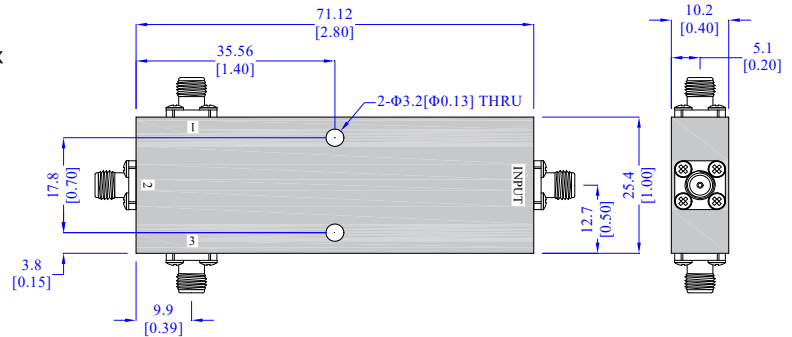
TMPD3-02001800-S20

**2 to 18 GHz, 20W, SMA-Female
3-WAY POWER DIVIDER**

Electrical Characteristics

Frequency Range	2~18GHz
Insertion Loss	6.0dB typ, 6.3dB max
Amplitude Balance	±0.8dB max
Phase Balance	±8° max
VSWR(input port)	1.5:1 typ, 1.7:1 max
VSWR(output ports)	1.5:1 typ, 1.7:1 max
Isolation	18dB min, 20dB typ
Impedance	50 Ohms
Power Rating	20W

Outline Drawing(mm[inch])



Mechanical & Environmental Characteristics

Dimensions	71.12 × 25.4 × 10.2mm
RF Connectors	SMA-Female(stainless steel)
Surface Finishing	Gray Paint
Operating Temperature	-40°C~+85°C
Storage Temperature	-50°C~+105°C