

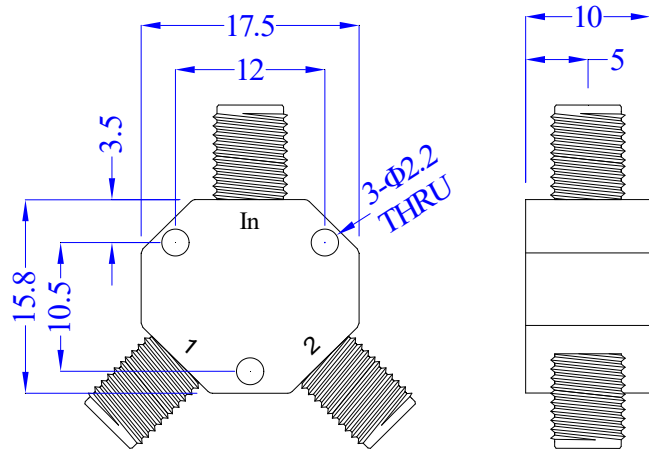
TMPD2-00005000-0.5-2

DC to 50 GHz, 1W, 2.4mm-Female
2-WAY POWER DIVIDER

Electrical Characteristics

Frequency Range	DC~50GHz
Insertion Loss	7.8dB max.
Amplitude Balance	± 0.8dB max
Phase Balance	± 8° max
VSWR(input port)	1.5:1 max
VSWR(output ports)	2.5:1 max
Isolation	9dB min
Impedance	50 Ohms
Power Rating	1W

Outline Drawing(mm)



Mechanical & Environmental Characteristics

Dimensions	17.5 × 15.8 × 10mm
RF Connectors	2.4mm-Female
Material	Aluminum 6061
Operating Temperature	-35°C~+75°C
Storage Temperature	-55°C~+85°C