

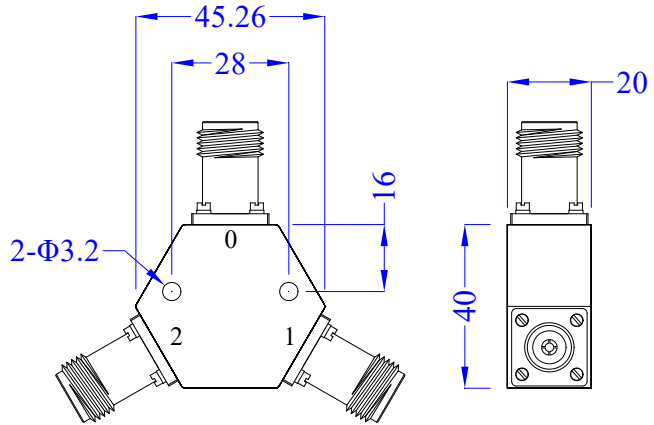
**TMPD2-00001800-10N**

**DC to 18 GHz, 10W, N-Female  
2-WAY POWER DIVIDER**

**Electrical Characteristics**

**Outline Drawing(mm)**

- Frequency Range** ..... DC~18GHz
- Insertion Loss** ..... 7.0dB typ  
(excluding theoretical insertion loss 3.0dB)
- Amplitude Balance** .....  $\pm 0.6$ dB typ
- Phase Balance** .....  $\pm 6^\circ$  typ
- VSWR(input port)** ..... 1.8:1 typ
- VSWR(output ports)** ..... 2.2:1 typ
- Isolation** ..... 10dB typ
- Impedance** ..... 50 Ohms
- Power Handling** ..... 10W



**Mechanical & Environmental Characteristics**

- Dimensions** ..... 45.26 × 40 × 20mm
- RF Connectors** ..... N-Female
- Material** ..... Aluminum 6061
- Surface Finishing** ..... Black/Blue/Gray Paint
- Operating Temperature** ..... -40°C~+70°C
- Storage Temperature** ..... -50°C~+105°C