

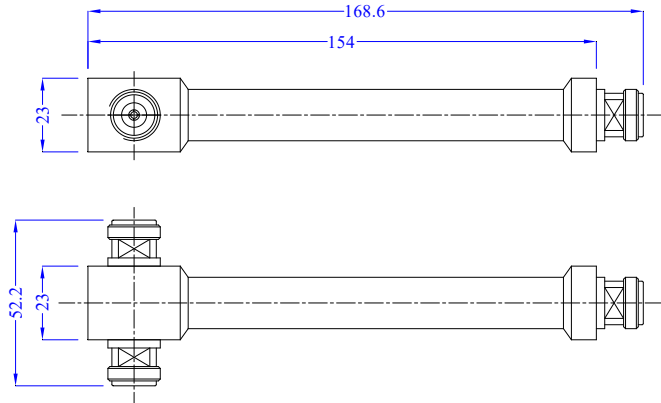
TMPD2-00800370-300N

**0.8 to 3.7 GHz, 300W, N-Female
2-WAY POWER DIVIDER**

Electrical Characteristics

Frequency Range 0.8~3.7GHz
Insertion Loss 3.3dB max.
 (excluding theoretical loss 3dB)
Amplitude Balance ± 0.3 dB max
VSWR(input port) 1.25:1 max
IP3 -140dBc@43dBm
Impedance 50 Ohms
Power Rating 300W

Outline Drawing(mm)



Mechanical & Environmental Characteristics

Dimensions 168.6 × 23 × 52.2mm
RF Connectors N-Female
Material Aluminum 6061
Surface Treatment Black Painted
Operating Temperature -10°C~+60°C