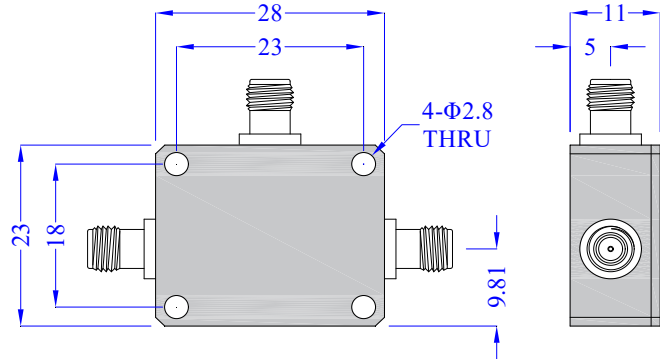


**TMPD2-00000680-0.5S**      DC to 6.8 GHz, 0.5W, SMA-Female  
**2-WAY POWER DIVIDER**

**Electrical Characteristics**

- Frequency Range** ..... DC~6.8GHz
- Insertion Loss** ..... 11dB max.  
(excluding theoretical insertion loss 3.0dB)
- Amplitude Balance** ..... ± 0.5dB max
- Phase Balance** ..... ± 5° max
- VSWR(input port)** ..... 1.3:1 typ, 1.6:1 max
- VSWR(output ports)** ..... 1.4:1 max
- Isolation** ..... 17dB min, 19dB typ
- Impedance** ..... 50 Ohms
- Power Rating** ..... 0.5W

**Outline Drawing(mm)**



**Mechanical & Environmental Characteristics**

- Dimensions** ..... 28 × 23 × 11mm
- RF Connectors** ..... SMA-Female
- Material** ..... Aluminum 6061
- Surface Treatment** ..... Black Painted
- Operating Temperature** ..... -40°C~+85°C
- Storage Temperature** ..... -55°C~+100°C