

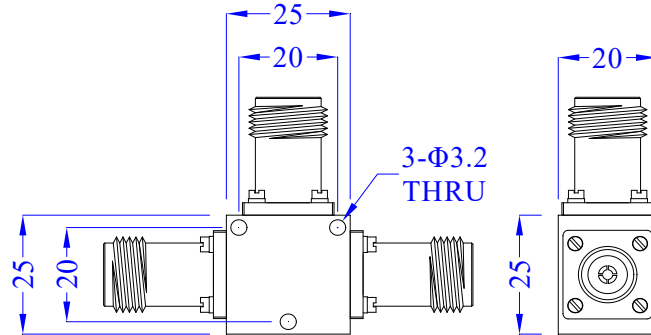
TMPD2-00000800-2N

**DC to 8 GHz, 2W, N-Female
2-WAY POWER DIVIDER**

Electrical Characteristics

Frequency Range DC~8GHz
Insertion Loss 5dB min, 8dB max
 (excluding theoretical insertion loss 3.0dB)
Phase Balance $\pm 10^\circ$ max
VSWR(input port) 1.5:1 typ
VSWR(output ports) 1.5:1 typ
Impedance 50 Ohms
Power Handling 2W

Outline Drawing(mm)



Mechanical & Environmental Characteristics

Dimensions 25 × 25 × 20mm
RF Connectors N-Female
Material Aluminum 6061
Surface Finishing Black/Blue/Gray Paint
Operating Temperature -40°C~+70°C
Storage Temperature -55°C~+85°C